



Queensland

Transport Operations (Road Use Management) Act 1995

Transport Operations (Road Use Management—Vehicle Registration) Regulation 2010

Reprinted as in force on 1 July 2012

Reprint No. 1E

This reprint is prepared by
the Office of the Queensland Parliamentary Counsel
Warning—This reprint is not an authorised copy

Information about this reprint

This regulation is reprinted as at 1 July 2012. The reprint shows the law as amended by all amendments that commenced on or before that day (Reprints Act 1992 s 5(c)).

The reprint includes a reference to the law by which each amendment was made—see list of legislation and list of annotations in endnotes. Also see list of legislation for any uncommenced amendments.

This page is specific to this reprint. See previous reprints for information about earlier changes made under the Reprints Act 1992. A table of reprints is included in the endnotes.

Also see endnotes for information about—

- **when provisions commenced**
- **editorial changes made in earlier reprints.**

Spelling

The spelling of certain words or phrases may be inconsistent in this reprint or with other reprints because of changes made in various editions of the Macquarie Dictionary (for example, in the dictionary, ‘lodgement’ has replaced ‘lodgment’). Variations of spelling will be updated in the next authorised reprint.

Dates shown on reprints

Reprints dated at last amendment All reprints produced on or after 1 July 2002, authorised (that is, hard copy) and unauthorised (that is, electronic), are dated as at the last date of amendment. Previously reprints were dated as at the date of publication. If an authorised reprint is dated earlier than an unauthorised version published before 1 July 2002, it means the legislation was not further amended and the reprint date is the commencement of the last amendment.

If the date of an authorised reprint is the same as the date shown for an unauthorised version previously published, it merely means that the unauthorised version was published before the authorised version. Also, any revised edition of the previously published unauthorised version will have the same date as that version.

Replacement reprint date If the date of an authorised reprint is the same as the date shown on another authorised reprint it means that one is the replacement of the other.



Queensland

Transport Operations (Road Use Management—Vehicle Registration) Regulation 2010

Contents

		Page
Part 1	Preliminary	
1	Short title	7
2	Commencement	7
3	Definitions	7
4	Meaning of exempt vehicle	7
5	Meaning of registered operator in this regulation	9
6	Registered and unregistered vehicles	9
Part 2	Registration principles	
7	Garage address in Queensland	9
8	Persons eligible to register vehicle	10
9	Compliance with vehicle law	10
10	Proof of compliance with vehicle law	10
Part 3	Vehicle registration	
Division 1	Vehicles used on roads must be registered	
11	Vehicles used on roads must be registered	11
Division 2	Conditional registration	
12	Conditional registration	11
Division 3	Registration generally	
13	Application for registration	13
14	Registration application made by agent	14
15	Driving or towing unregistered vehicle to place for inspection or for testing as part of inspection	14
16	Vehicle inspections	16
17	Deciding applications	17
18	Registered vehicles register	19

Contents

19	Registration certificates	21
20	Registered operator to notify change of particulars	22
21	Recording change in vehicle particulars and reassessment of registration fee	23
22	Registration term	24
23	Seasonal registration	24
24	When registration becomes effective	25
Division 4	Approval of motorbikes as learner approved motorbikes	
25	Purpose of div 4	25
26	Definition for div 4	26
27	Meaning of LAM test report	26
28	Application for approval of motorbike as a learner approved motorbike	27
Division 5	Number plates	
29	Chief executive to assign registration number and issue number plates	28
30	Position, visibility and legibility of number plate	29
31	Time for attaching number plates	32
32	Q plates	32
33	Personalised number plates	32
34	Transfer of personalised number plate	34
35	Converting number plate to personalised number plate	34
36	Customised number plates	34
37	Accessory plates	35
38	Accessory plate for tow truck	36
Division 6	Registration labels	
39	Chief executive to issue registration labels	37
40	Position for attaching registration label	37
41	Time for attaching registration label	39
Part 4	Renewal of registration	
42	Registration renewal notice	40
43	Renewal of registration	40
44	When surcharge is payable for renewal	42
45	Registration term if overpayment or underpayment of registration-related amount and any surcharge	43
46	Administrative fee for late payment if cheque dishonoured	45
47	Issue of receipt and updating of records	45

Part 5	Transfer of registration	
48	Transfer of registration	46
49	Failure by dealer to apply for transfer of registration	49
50	Transfer of registration under legal process	49
51	Refusing to record transfer of registration	50
Part 6	Expiry and cancellation of registration	
Division 1	Expiry of registration	
52	Expiry of registration.	51
53	Return of registration plates when registration expires	51
Division 2	Cancellation of registration	
54	Cancellation of registration at registered operator's request	52
55	Cancellation if registration in other State	53
56	Partial refund of registration fee	53
57	Cancellation for noncompliance with defect notice.	54
58	Cancellation of registration of vehicle or dealer plate.	55
59	Recording cancellation of registration in register	58
Part 7	When registration unnecessary	
Division 1	Unregistered vehicle permits	
60	Unregistered vehicle permits	59
Division 2	Dealer plates	
61	Designation of dealer plates.	60
62	Registration of dealer plate	60
63	Attaching dealer plate.	61
64	Use of dealer plates	62
65	Cancellation of dealer plates	65
Part 8	Written-off vehicles	
Division 1	Objects of part 8	
66	Objects	67
Division 2	Notifying of written-off vehicle information	
67	General obligations of notifiers.	67
68	Auditing of notifiers.	68
69	Obligation of notifiers to give notifiable information	68
70	Obligation of insurer to report written-off vehicle	69
71	Obligation of self-insurer to report written-off vehicle.	70
72	Obligation of loss adjuster to report written-off vehicle.	70
73	Obligation of dealer or auctioneer to report written-off vehicle.	71

Contents

74	Obligation of auto parts dismantler to report written-off vehicle . . .	72
75	Obligation of registered operator or owner of unregistered vehicle to report written-off vehicle	73
76	Notifier’s obligation to tell registered operator or owner	74
77	Obligation on notifiers to attach written-off vehicle label to written-off vehicle	74
78	Obligation on registered operator or owner to attach written-off vehicle label to written-off vehicle	75
79	Offence to remove written-off vehicle label.	76
80	Written-off vehicles must not be used on road	76
Division 3	Written-off vehicle inspections	
81	Definition for div 3.	77
82	Approvals	77
83	Conditions of approval	78
84	Granting or refusing to grant approval	78
85	Approval prescribed for Act, ss 17B(2) and 18(1)(c)(ii)	79
Division 4	Offences relating to written-off vehicle inspections	
86	Performing written-off vehicle inspection when not approved . . .	79
87	Supervising written-off vehicle inspections when not approved . .	79
88	Not complying with conditions of approval	80
89	False or misleading written-off vehicle inspection report	80
90	Operating place as a written-off vehicle inspection site	80
91	Performing written-off vehicle inspection at place other than written-off vehicle inspection site	80
92	Supervising written-off vehicle inspections at place other than written-off vehicle inspection site	80
93	False advertising or holding out	81
Part 9	Measures for disasters or droughts	
94	Definitions for pt 9.	81
95	Reduced term of registration or renewal of registration	83
96	Exemption from surcharge for reduced registration term or from administrative fee for late payment.	83
97	Seasonal registration—deferral of registration	84
98	Section 95, 96 or 97 may be relied on only once in relation to the 1 disaster	86
99	Notice or written evidence to be given	86
100	Transport of fodder by primary producer for another primary producer	88

Part 10	Miscellaneous	
Division 1	Other provisions about number plates and other items	
101	Replacement registration items	89
102	Chief executive may require exchange of number plates	90
103	Chief executive may require return of number plates	91
104	Property in number plates	92
Division 2	Vehicles temporarily in Queensland	
105	Vehicles temporarily in Queensland	92
Division 3	Other miscellaneous provisions	
106	Sale of unregistered vehicles by dealers	95
107	Authorisation to use unregistered vehicle on roads	95
108	Permit to use intercepted unregistered vehicle on road	96
109	Damaged or dirty number plates	97
Division 4	Review of decisions	
110	Decisions to which this division applies	98
111	Review of decision	99
Division 5	Release of information	
112	Definitions for div 5	99
113	Meaning of history certificate	103
114	Meaning of status certificate	104
115	Release of information on payment of fee	106
116	Release of information to relevant tolling entities and other persons	107
117	Release of vehicle-related information	109
118	Fee or amount payable to vehicle-related information provider	110
Division 6	Use of information from register for particular purpose	
119	Use of information for contacting registered operator about moving or removing vehicle	111
Part 11	Fees	
Division 1	General	
120	Fees	112
121	Charging categories	112
Division 2	Vehicles exempted from registration fees	
122	Exemption from payment of fee	113
Division 3	Concessional registration fees for particular category 1 vehicles	
123	Concessional registration fees—category 1 vehicles	116

Contents

Division 4	Concessional registration fees for category 2 vehicles	
124	Concessional registration fees—primary production vehicles . . .	118
125	Concessional registration fee for motorised caravan for card holders	119
126	Concessional registration fees for other vehicles	120
Part 12	Other offence provisions	
127	Offences involving registration certificates etc.	122
128	Requirement to remove unlawful registration item	123
Part 13	Repeal and transitional provision	
Division 1	Repeal	
129	Repeal of regulation	124
Division 2	Transitional provision	
130	References to repealed regulation	124
Schedule 1	Category 1 vehicle registration fees	126
Schedule 2	Category 2 vehicle registration fees	132
Schedule 3	Other fees	137
Schedule 4	Provisions that particular items of schedule 1, part 2 and schedule 2, part 3 are subject to	142
Schedule 5	Vehicles for particular concessional registration fees	145
Schedule 6	Areas for schedule 5, section 11 for vehicles used solely to carry on business of prospecting	149
Schedule 8	Dictionary	151
 Endnotes		
1	Index to endnotes	175
2	Date to which amendments incorporated.	175
3	Key	176
4	Table of reprints	176
5	List of legislation.	176
6	List of annotations	178

Transport Operations (Road Use Management—Vehicle Registration) Regulation 2010

[as amended by all amendments that commenced on or before 1 July 2012]

Part 1 Preliminary

1 Short title

This regulation may be cited as the *Transport Operations (Road Use Management—Vehicle Registration) Regulation 2010*.

2 Commencement

This regulation commences on 1 September 2010.

3 Definitions

The dictionary in schedule 8 defines particular words used in this regulation.

4 Meaning of *exempt vehicle*

In this regulation, a vehicle is an *exempt vehicle* if the vehicle is—

- (a) an agricultural implement being towed by—
 - (i) an agricultural machine suitably matched to the implement; or
 - (ii) another vehicle of a suitable size for towing the implement; or
- (b) a trailer being towed by—

[s 4]

- (i) an agricultural machine that is being used for its intended agricultural purpose; or
- (ii) a conditionally registered vehicle with limited access registration; or
- (c) a motorised golf buggy or other motorised machinery being used on a golf course or on a golf course car park, or a motorised golf buggy being used for directly crossing a road dividing a golf course; or
- (d) a ride-on mower, other than a ride-on mower that is an agricultural machine, that is being used for mowing, and is—
 - (i) directly crossing a road; or
 - (ii) crossing from 1 road-related area to another road-related area; or
 - (iii) on a road-related area; or
- (e) walking speed equipment that is on a road only for—
 - (i) loading it onto, or unloading it from, another vehicle; or
 - (ii) repositioning it at a work site; or
- (f) a low-powered motor vehicle; or
- (g) a vehicle that is not a motor vehicle or a trailer; or
- (h) a vehicle being towed by a tow truck; or
- (i) a racing vehicle being used on a racing track or in a related area for a racing track; or
- (j) a motorbike being used in freestyle motocross in a freestyle motocross area; or
- (k) a motorbike being used in an observed trial in an observed trial area; or
- (l) drawn plant being towed by a conditionally registered vehicle of a size suitable for towing the plant.

5 Meaning of *registered operator* in this regulation

- (1) This section defines *registered operator* for its use in this regulation only, and has effect despite the expression's definition in the Act.
- (2) The *registered operator* of a vehicle is the person in whose name the vehicle is currently registered.
- (3) The *registered operator* of a dealer plate is the person in whose name the dealer plate is currently registered.

6 Registered and unregistered vehicles

- (1) In this regulation, a vehicle is taken to be a registered vehicle if it has current registration under this regulation.
- (2) In this regulation, a vehicle is taken to be an unregistered vehicle if—
 - (a) it has no current registration under this regulation because—
 - (i) it has never had registration under this regulation; or
 - (ii) it has had registration under this regulation, but the registration has expired or been cancelled; and
 - (b) nothing in this regulation permits its use on a road, whether or not under limited circumstances.

Part 2 Registration principles

7 Garage address in Queensland

A vehicle may be registered in Queensland only if its garage address is in Queensland.

[s 8]

8 Persons eligible to register vehicle

- (1) A person may apply to the chief executive to register a category 1 vehicle in the person's name.
- (2) A person may apply to the chief executive to register a category 2 vehicle in the person's name only if the person is a corporation or an individual aged 18 or over.

9 Compliance with vehicle law

To be eligible for registration, other than conditional registration, a vehicle must conform with the requirements applying to the vehicle under each vehicle law.

10 Proof of compliance with vehicle law

- (1) The chief executive may accept as evidence that a vehicle conforms with the requirements applying to the vehicle under a vehicle law—
 - (a) a plate attached to the vehicle under the vehicle law; or
 - (b) a written statement from the vehicle's manufacturer stating that the vehicle conforms with the requirements applying to the vehicle under a vehicle law.
- (2) In the absence of evidence mentioned in subsection (1), the chief executive may, on inspecting the vehicle and being satisfied it conforms with the requirements applying to the vehicle under a vehicle law, issue a certificate to that effect.

Part 3 Vehicle registration

Division 1 Vehicles used on roads must be registered

11 Vehicles used on roads must be registered

A person must not use, or permit to be used, on a road a vehicle that is not a registered vehicle unless—

- (a) the vehicle is being driven or towed under section 15; or
- (b) the vehicle is being brought to the chief executive under section 16; or
- (c) the vehicle is being used under an unregistered vehicle permit; or
- (d) the vehicle is being used under the authority of a dealer plate under section 62; or
- (e) the vehicle is being used under section 105; or
- (f) the vehicle is being used under an authorisation issued under section 107; or
- (g) the vehicle is being used under a permit issued under section 108; or
- (h) the vehicle is an exempt vehicle.

Maximum penalty—80 penalty units.

Division 2 Conditional registration

12 Conditional registration

- (1) This section applies to a vehicle if—
 - (a) there is a guideline (the *safe movement guideline*) under the Vehicle Standards and Safety Regulation, section 14

[s 12]

for the safe movement of the vehicle, or vehicles of its type, on a road; and

- (b) the vehicle—
 - (i) does not conform with the requirements applying to the vehicle under a vehicle law; or
 - (ii) is used primarily for off-road use but is used occasionally, or has restricted use, on a road.

Example for subparagraph (ii)—

A farmer owns separate paddocks a short distance apart adjoining a road and drives a vehicle on the road to take it from one paddock to another.

- (2) The chief executive may, on application under section 13, register the vehicle (***conditional registration***) with 1 of the following—
 - (a) limited access registration;
 - (b) zone access registration;
 - (c) unrestricted access registration.
- (3) However, the chief executive must not register the vehicle unless the chief executive is satisfied the vehicle conforms with the safe movement guideline.
- (4) A person who uses a conditionally registered vehicle must comply with the conditions for use applying to the vehicle stated in the safe movement guideline.

Maximum penalty—30 penalty units.

- (5) A person must not permit a conditionally registered vehicle to be used on a road unless the conditions for use applying to the vehicle stated in the safe movement guideline allow the vehicle to be used on the road.

Maximum penalty—30 penalty units.

Division 3 Registration generally

13 Application for registration

- (1) An application for the registration of a vehicle must be made to the chief executive in the approved form and be accompanied by the following—
 - (a) any vehicle registration fee under schedule 1 or 2 for the vehicle;
 - (b) any registration administration fee for a conditionally registered vehicle under schedule 3 for the vehicle;
 - (c) any plate fee under schedule 3 for the vehicle;
 - (d) if the vehicle is a category 1 vehicle—the traffic improvement fee under schedule 3 for the vehicle;
 - (e) if the vehicle is a category 2 vehicle, other than a trailer—the registration administration fee under schedule 3 for the vehicle;
 - (f) any insurance certificate required under the *Motor Accident Insurance Act 1994* for the vehicle for the proposed registration term or the insurance premium payable under that Act for the certificate;
 - (g) if the vehicle is a COI vehicle under the Vehicle Standards and Safety Regulation, a current certificate of inspection under that regulation for the vehicle, but only if, once the vehicle is registered, its owner will be required under that regulation to possess a current certificate of inspection for the vehicle;
 - (h) if the vehicle is an SC vehicle under the Vehicle Standards and Safety Regulation, a current safety certificate under that regulation, unless—
 - (i) the garage address of the vehicle is in an area mentioned in the Vehicle Standards and Safety Regulation, schedule 2; or

[s 14]

- (ii) the vehicle has never previously been registered in Queensland, in another State or in a foreign country; or
 - (iii) the vehicle is being registered in the name of a dealer for resale purposes;
 - (i) any duty payable under the *Duties Act 2001*;
 - (j) if applicable, a gas certificate for each gas system in the vehicle;
 - (k) if the applicant is relying on section 95 or 96—the written evidence required under section 99.
- (2) A vehicle mentioned in subsection (1)(g) or (h) must be taken with the application to the place where the application is to be given to the chief executive.

14 Registration application made by agent

- (1) This section applies if the application of a person (the *applicant*) to register a vehicle is made by another person (the *agent*) as agent for the applicant.
- (2) The chief executive must not grant the application unless the agent gives the chief executive satisfactory evidence of—
 - (a) the agent’s identity; and
 - (b) the applicant’s identity; and
 - (c) the agent’s authority to act as agent for the applicant to register the vehicle.

15 Driving or towing unregistered vehicle to place for inspection or for testing as part of inspection

- (1) This section applies if it is necessary, for registering an unregistered vehicle under this regulation, for the vehicle to be driven or towed on a road to—
 - (a) an AIS for inspection for obtaining an inspection certificate under the Vehicle Standards and Safety Regulation; or

-
- (b) if the vehicle is a vehicle that is recorded in the register as a repairable write-off—a written-off vehicle inspection site for obtaining a written-off vehicle inspection report; or
- (c) another place as required by the chief executive.

Examples for paragraph (c)—

- a place for inspecting by the Queensland Police Service
- a place for road testing by an inspection station
- a place for having an identifying number stamped
- a place for obtaining a gas certificate
- a weighbridge for obtaining a measurement ticket

(1A) This section also applies if it is necessary, for registering an unregistered vehicle under this regulation, for the vehicle to be driven or towed on a road for testing to confirm the safe operation of the vehicle as part of an inspection mentioned in subsection (1)(a).

(2) The vehicle may be driven or towed to a place mentioned in subsection (1), or for the testing mentioned in subsection (1A), and subsequently to an office of the chief executive where it may be registered, but only if—

- (a) an application in the approved form to register the vehicle has been completed; and
- (b) if the vehicle is required to be insured under the *Motor Accident Insurance Act 1994*, a current insurance certificate has been issued for the vehicle; and
- (c) the documents mentioned in paragraphs (a) and (b) are—
- (i) for a trailer—carried in the motor vehicle towing the trailer; or
- (ii) for another vehicle—carried in the vehicle.

Note—

See also section 64(1A).

[s 16]

16 Vehicle inspections

- (1) The chief executive may require a vehicle to be brought to the chief executive for an inspection—
 - (a) before the vehicle is registered under this regulation; or
 - (b) if the vehicle is recorded in the register as a repairable write-off, before the chief executive changes the register to ensure the vehicle is no longer recorded as a repairable write-off.
- (2) Subsection (3) applies if, when the chief executive inspects the vehicle—
 - (a) an identifying number placed on the vehicle by the vehicle's manufacturer is not clearly legible or appears to have been altered or defaced; or
 - (b) for a vehicle recorded in the register as a repairable write-off that has been repaired, the vehicle no longer has an identifying number.
- (3) The chief executive—
 - (a) may allot a replacement identifying number for the vehicle; and
 - (b) must record the allotted replacement identifying number in the register.
- (4) If the vehicle is a motor vehicle, the applicant must, as soon as practicable—
 - (a) take action to obtain the necessary permission mentioned in section 134 of the Act to stamp the allotted replacement identifying number on the vehicle; and
 - (b) if the permission is obtained, ensure the allotted replacement identifying number is stamped on the vehicle.

Maximum penalty—8 penalty units.

- (5) The obligation to which the applicant is subject under subsection (4) continues to apply even if the applicant does not further pursue the registration of the vehicle.

-
- (6) Subsection (7) applies if, after the vehicle is registered or, for a vehicle that was recorded in the register as a repairable write-off, after the chief executive has changed the register to ensure the vehicle is no longer recorded as a repairable write-off, it appears to the chief executive that there is a possible discrepancy relating to the particulars of the vehicle as registered.
 - (7) The registered operator of the vehicle must, if requested by written notice from the chief executive, return the vehicle for further inspection.

Maximum penalty for subsection (7)—8 penalty units.

17 Deciding applications

- (1) The chief executive may refuse an application for the registration of a vehicle if the chief executive reasonably believes—
 - (a) the vehicle or a part of the vehicle is, or may be, stolen; or
 - (b) information given in the application is false or misleading; or
 - (c) the vehicle's chassis number or VIN is the same as the chassis number or VIN of a vehicle recorded in the register, or in a register kept under a corresponding law to this regulation, as a statutory write-off; or
 - (d) the vehicle's chassis number or VIN is the same as the chassis number or VIN of a vehicle recorded in the register as a repairable write-off, unless there is a written-off vehicle inspection report for the vehicle; or
 - (e) the vehicle's chassis number or VIN is the same as the chassis number or VIN of a vehicle recorded in a register kept under a corresponding law to this regulation as a repairable write-off, unless there is a written-off vehicle inspection report for the vehicle or, under the corresponding law, there is a report for the

[s 17]

- vehicle that is equivalent to a written-off vehicle inspection report; or
- (f) a person, by giving or purporting to give under this regulation a written-off vehicle inspection report for the vehicle, has committed an offence; or
 - (g) a person, by giving or purporting to give under a corresponding law to this regulation a report that is equivalent to a written-off vehicle inspection report for the vehicle, has committed an offence; or
 - (h) an approved examiner under the *Transport Operations (Road Use Management—Accreditation and Other Provisions) Regulation 2005* has, by issuing an inspection certificate for the vehicle under the Vehicle Standards and Safety Regulation, contravened the Act; or
 - (i) there are unpaid fines or penalties arising out of the use of the vehicle in Queensland or another State; or
 - (j) the vehicle's garage address is in another State; or
 - (k) the vehicle does not conform with the requirements applying to the vehicle under a vehicle law; or
 - (l) the vehicle has been registered in another State and—
 - (i) the registration in the other State has been suspended or cancelled for a reason other than its expiry; and
 - (ii) the reasons for the cancellation or suspension still exist.
- (2) Subsection (1) does not limit the chief executive's power to refuse the application under another provision of this regulation.
- (3) Despite subsection (1), the chief executive may decide that a written-off vehicle inspection report is not required for a vehicle that is recorded in the register, or in a register kept under a corresponding law to this regulation, as a repairable write-off.

Example—

The chief executive decides the damage to a vehicle is limited to cosmetic damage.

- (4) If the chief executive decides to grant the application, the chief executive must register the vehicle in the applicant's name.
- (5) If the chief executive decides to refuse the application, the chief executive must tell the applicant—
 - (a) the reasons for the refusal; and
 - (b) that the decision may be reviewed under section 111, unless the vehicle's chassis number or VIN is the same as the chassis number or VIN of a vehicle recorded in the register, or in a register kept under a corresponding law to this regulation, as a statutory write-off.
- (6) If asked by the applicant, the chief executive must give written reasons for refusing the application.

18 Registered vehicles register

- (1) The chief executive must keep a register of registered vehicles (the *register*).
- (2) The register must contain the following particulars for each registered vehicle, to the extent the particulars are applicable for the vehicle—
 - (a) the registered operator's name;
 - (b) the vehicle's registration number and other identification details, including the vehicle's description;
 - (c) the vehicle's GVM and, if applicable, GCM;
 - (d) the vehicle's garage address;
 - (e) the registered operator's address;
 - (f) the vehicle's purpose of use, for example, private use or farm use;

[s 18]

- (g) for a conditionally registered vehicle, the conditions for use applying to the vehicle that are stated in the safe movement guideline;
 - (h) the commencement and expiry days for the registration;
 - (i) for a category 2 vehicle—the vehicle’s nominated configuration;
 - (j) for a motorbike, other than a motorbike that is conditionally registered—whether the motorbike is a learner approved motorbike.
- (3) The chief executive must ensure the register contains the particulars of each vehicle that—
- (a) is currently registered; or
 - (b) is not currently registered, but has been a registered vehicle within the previous 2 years.
- (4) The register must also contain the notifiable information about a written-off vehicle notified under part 8, whether or not the vehicle is currently registered.
- (5) However, subsection (6) applies if—
- (a) for a vehicle recorded in the register as a repairable write-off, there is a written-off vehicle inspection report for the vehicle; or
 - (b) for a vehicle recorded in a register kept under a corresponding law to this regulation, there is under the corresponding law a report for the vehicle that is equivalent to a written-off vehicle inspection report.
- (6) The chief executive must change the register to ensure the vehicle is no longer recorded as a repairable write-off.
- (7) The chief executive may record in the register other information—
- (a) required to be recorded under the Act or another Act; or
 - (b) the chief executive decides is appropriate.

Examples of information the chief executive may record under paragraph (b)—

-
- odometer readings to help in consumer protection
 - pension details for implementing the provisions of this regulation about concessional registration fees
- (8) Despite anything else in this regulation—
- (a) the chief executive is not required to ensure the person whose name is shown in the register as the registered operator of a vehicle is a person who has title to the vehicle; and
 - (b) the register is not intended to be a means by which the title to a registered vehicle may be conclusively established.

19 Registration certificates

- (1) If the chief executive registers a vehicle, the chief executive must issue a registration certificate to the applicant for the vehicle.
- (2) The certificate must include the following particulars, to the extent the particulars are applicable for the vehicle—
 - (a) the registered operator's name and address;
 - (b) the vehicle's garage address;
 - (c) the vehicle's registration number;
 - (d) the make of the vehicle;
 - (e) the vehicle's VIN or, if there is no VIN, the vehicle's chassis number or engine number;
 - (f) the vehicle's GVM and, if applicable, GCM;
 - (g) the vehicle charging category under part 11, division 1;
 - (h) the commencement and expiry days for the registration;
 - (i) if the vehicle is a conditionally registered vehicle—
 - (i) the conditions for use applying to the vehicle that are stated in the safe movement guideline; and
 - (ii) a separate code, for example a letter of the alphabet, for each of the conditions.

[s 20]

- (3) The chief executive may also include in the certificate any other information the chief executive decides is appropriate.

20 Registered operator to notify change of particulars

- (1) The registered operator of a vehicle must, within 14 days after the person's address, or the garage address or purpose of use of the vehicle, is changed, give the chief executive full particulars of the change.

Maximum penalty—8 penalty units.

- (2) The registered operator of a vehicle must, within 14 days after the person's name is changed, give the chief executive—
- (a) written notice containing full particulars of the change; and
 - (b) written material, satisfactory to the chief executive, evidencing the change.

Maximum penalty—8 penalty units.

- (3) If a person modifies a registered vehicle, the registered operator of the vehicle must give the chief executive written notice containing full particulars of the modification within 14 days after the modification.

Maximum penalty—8 penalty units.

- (4) The registered operator must not use the vehicle on a road until the chief executive has been notified of the modification, and any additional registration fee or charge attributable to the modification has been paid to the chief executive, if—
- (a) the vehicle is a category 2 vehicle; and
 - (b) at least 1 of the following applies—
 - (i) the modification is to the vehicle's description as recorded in the register;
 - (ii) because of the modification, the registration fee applicable to the vehicle is higher than the fee paid for its current registration.

Maximum penalty—80 penalty units.

(5) In this section—

modifies a registered vehicle means modifies any of the following—

- (a) the vehicle's axle configuration;
- (b) the vehicle's carrying capacity;
- (c) the vehicle's description as recorded in the register;
- (d) the method of propulsion of the vehicle;
- (e) the vehicle's GCM or GVM;
- (f) any other particular of the vehicle recorded in the register.

21 Recording change in vehicle particulars and reassessment of registration fee

- (1) If the chief executive is satisfied the particulars given under section 20 are correct, the chief executive must—
 - (a) record the correct name, address, purpose of use or other particulars in the register; and
 - (b) issue an updated registration certificate; and
 - (c) if the details on the registration label issued for the vehicle have changed, issue a replacement registration label.
- (2) However, the chief executive must not act under subsection (1) to record an identifying number of a vehicle that is recorded in the register as a written-off vehicle, other than if the chief executive allots a replacement identifying number for the vehicle under section 16.
- (3) Also, if the particulars are for a change to a vehicle's purpose of use or the modification of a vehicle under section 20(5), the chief executive may reassess the registration fee payable for the vehicle for the term (the *unexpired term*) calculated from when the purpose of use changed or the vehicle was modified to the end of the vehicle's current registration.

[s 22]

- (4) The chief executive must as soon as practicable refund to the registered operator any amount by which the reassessed fee is less than the fee already paid for the unexpired term.
- (5) The chief executive may, by written notice given to the registered operator, require the registered operator to pay any amount by which the reassessed fee is more than the fee already paid for the unexpired term within 28 days after the notice is given.
- (6) The registered operator must comply with the requirement unless the registered operator has a reasonable excuse.

Maximum penalty for subsection (6)—60 penalty units.

22 Registration term

Subject to sections 23 and 95, a vehicle may be registered for the term asked for by the applicant that is 1 of the following terms—

- (a) 1 year;
- (b) 6 months;
- (c) if the vehicle is a category 2 vehicle—3 months;
- (d) another term if the chief executive considers the term reasonable and appropriate, having regard to the administrative needs of the applicant.

Example—

An applicant has a fleet of vehicles that are due for renewal of registration on 1 January. A new vehicle is purchased on 1 December. The new vehicle may be registered for 1 month to make its registration renewal date the same as the other vehicles in the fleet.

23 Seasonal registration

- (1) A prescribed vehicle owned by a primary producer may be registered for 3 or 6 months if it is used only in the registered operator's business as a primary producer.

-
- (2) A prescribed vehicle used only seasonally may be registered for 3 or 6 months if it is used only to transport primary produce from a farm or fishing waters to where the primary produce is—
 - (a) loaded onto a train, vessel or another vehicle; or
 - (b) stored before being processed; or
 - (c) the subject of the first processing step applied to it; or
 - (d) processed.
 - (3) Subject to section 97, at the end of the registration term, the registration of a prescribed vehicle under subsection (1) or (2) may be—
 - (a) renewed for 3 months or 6 months; or
 - (b) deferred for a period of not longer than 1 year, and renewed during, or at the end of, the period.
 - (4) Subsection (3) does not stop the registration of a prescribed vehicle being—
 - (a) renewed for a term for which prescribed vehicles are usually registered under section 22; or
 - (b) cancelled under part 6.

24 When registration becomes effective

The registration of a vehicle is effective on the issue of the chief executive's receipt for payment of the relevant fees payable, in relation to the registration, under this regulation.

Division 4 Approval of motorbikes as learner approved motorbikes

25 Purpose of div 4

The purpose of this division is to enable a person to apply to the chief executive for the approval of a particular motorbike as a learner approved motorbike.

[s 26]

Note—

This application process may be used if a particular bike is not stated to be a learner approved motorbike in the list of learner approved motorbikes kept by the chief executive.

26 Definition for div 4

In this division—

LAM information, for a motorbike, means the following information about the motorbike—

- (a) engine capacity;
- (b) maximum engine power;
- (c) tare mass.

27 Meaning of *LAM test report*

- (1) A ***LAM test report*** is documentation showing the results of 1 or more tests conducted on a motorbike to work out the LAM information for an application for approval of the motorbike under section 28.

Example of LAM test report—

a printout of the results of a test from a vehicle testing facility and a printout of the results of a test by a weighbridge

- (2) A test mentioned in subsection (1) may be conducted by 1 or more entities.
- (3) A LAM test report must contain the following information about a test conducted on a motorbike—
- (a) the name and address of the entity that conducted the test;

Example of an entity for paragraph (a)—

an entity that operates a vehicle testing facility or a weighbridge

- (b) the date of the test;
- (c) the LAM information;

- (d) details about the measuring system used to conduct the test.

Example of a measuring system for paragraph (d)—

a dynamometer or a similar measuring system that is designed to measure power produced by an engine

28 Application for approval of motorbike as a learner approved motorbike

- (1) A person may apply to the chief executive for approval of a production motorbike as a learner approved motorbike.
- (2) The application must—
- (a) be in the approved form; and
 - (b) be accompanied by—
 - (i) a copy of a document (the *manufacturer's document*) published by the motorbike's manufacturer showing the LAM information for the motorbike; or
 - (ii) if a copy of the manufacturer's document is unavailable or does not provide the LAM information for the motorbike—a LAM test report; and
 - (c) to the extent the information is available to the applicant, include the following information about the motorbike—
 - (i) make and model;
 - (ii) year of manufacture;
 - (iii) engine number;
 - (iv) VIN or chassis number.
- (3) The chief executive may grant the application only if the chief executive is satisfied that—
- (a) for a motorbike with an internal combustion engine—the engine capacity for the motorbike is not more than 660mL; and

[s 29]

- (b) the power-to-weight ratio for the motorbike is not more than 150kW per tonne; and
 - (c) any modifications to the motorbike are allowable modifications.
- (4) If the chief executive decides to grant the application, the chief executive must—
- (a) record the motorbike in the register as a learner approved motorbike; and
 - (b) issue a registration label for the motorbike that indicates the motorbike is a learner approved motorbike; and
 - (c) record the motorbike in the list of learner approved motorbikes kept by the chief executive.
- (5) However, the chief executive is not required to do the things mentioned in subsection (4)(a) and (b) if the motorbike is conditionally registered.
- (6) If the chief executive decides to refuse the application, the chief executive must tell the applicant—
- (a) the reasons for the refusal; and
 - (b) that the decision may be reviewed under section 111.
- (7) If asked by the applicant, the chief executive must give written reasons for refusing the application.

Division 5 Number plates

29 Chief executive to assign registration number and issue number plates

If the chief executive registers a vehicle, the chief executive must—

- (a) assign a distinguishing registration number to the vehicle; and
- (b) issue to the registered operator of the vehicle—

- (i) if the vehicle is a motorbike, motorised wheelchair, quad bike or trailer—1 number plate displaying the assigned number; or
- (ii) if the vehicle is a vehicle other than a vehicle mentioned in subparagraph (i)—2 number plates displaying the assigned number.

30 Position, visibility and legibility of number plate

- (1) The registered operator of a vehicle must ensure that each number plate issued for a vehicle is permanently attached to the vehicle so that, if the vehicle is on level ground—
- (a) the number plate is—
 - (i) in an upright position parallel to the vehicle’s axles; and
 - (ii) not more than 1.3m above ground level; and
 - (b) unless an accessory plate is attached to the vehicle in the way required under section 37—the characters on the number plate are visible from 20m away at any point within an arc of 45° from the surface of the number plate above or to either side of the vehicle, in the way shown in figures 1 and 2 at the end of this section; and
 - (c) any cover on the number plate—
 - (i) is clear, clean, untinted and flat over its entire surface; and
 - (ii) has no reflective or other characteristics that would prevent—
 - (A) the successful operation of a photographic detection device; or
 - (B) the number plate from being legible; and
 - (d) the number plate is in a clearly legible condition, including being clearly legible from any position from which it is required to be visible.

Maximum penalty—40 penalty units.

[s 30]

- (2) A load on the vehicle is taken to make the characters not visible contrary to subsection (1)(b) if the load—
- (a) makes the characters not visible or only partly visible; or
 - (b) obscures the characters.
- (3) The registered operator must also ensure that—
- (a) if the vehicle has been issued with 2 number plates—1 number plate is attached to the front of the vehicle and the other to its rear; or
 - (b) if the vehicle has been issued with only 1 number plate—the number plate is attached to its rear.

Maximum penalty—12 penalty units.

- (4) The registered operator does not contravene subsection (1)(a) or (b) if—
- (a) it is not practicable to attach a number plate to the vehicle in the way required under subsection (1)(a) or (b) because of the vehicle's construction; and
 - (b) the registered operator attaches the number plate to the vehicle as nearly as practicable in the way required under subsection (1)(a) or (b).
- (5) The registered operator does not contravene subsection (1)(b) if the position for the rear number plate of the vehicle (the **towing vehicle**) is obscured by another vehicle (the **towed vehicle**) being towed by the towing vehicle and any of the following applies—
- (a) the towed vehicle is registered under this regulation or a corresponding law to this regulation, and displays its rear number plate in the way required under subsection (1) or under the corresponding law;
 - (b) the towing vehicle is a tow truck, the towed vehicle is not registered under this regulation or a corresponding law to this regulation, and the towed vehicle—
 - (i) displays the towing vehicle's rear number plate in a way consistent with the requirements of subsection (1); or

- (ii) displays an accessory plate for the towing vehicle in the way required under section 38(5);
 - (c) the towing vehicle is not a tow truck, the towed vehicle is an exempt vehicle under section 4(a), (b) or (l) when being towed by the towing vehicle and the towed vehicle displays the towing vehicle's rear number plate in a way consistent with the requirements of subsection (1) or under a corresponding law to this regulation.
- (6) In this section—
- number plate* does not include an accessory plate issued under section 37.

photographic detection device see section 113 of the Act.

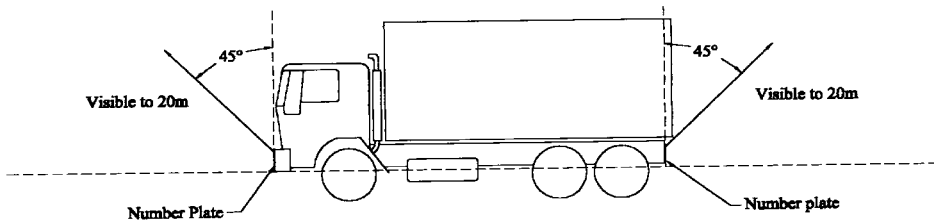


Figure 1

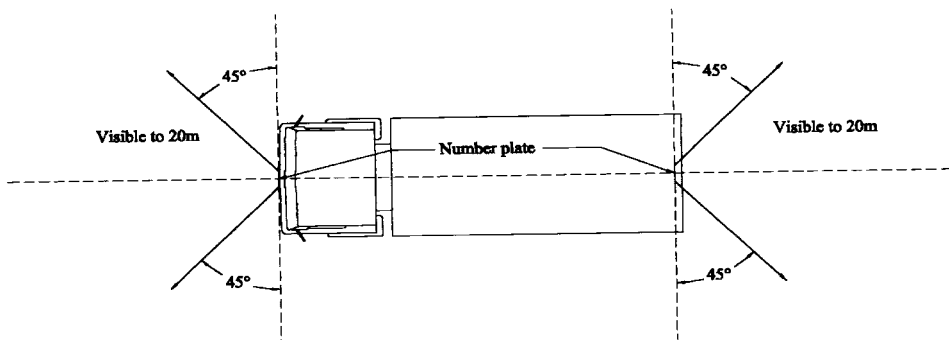


Figure 2

[s 31]

31 Time for attaching number plates

- (1) The registered operator of a vehicle must attach to the vehicle a number plate issued for the vehicle within 1 day after receiving the number plate.

Maximum penalty—12 penalty units.

- (2) The registered operator of a vehicle must attach to the vehicle a special plate the registered operator holds for the vehicle within 1 day after receiving a registration certificate showing the number of the special plate as the registration number of the vehicle.

Maximum penalty—12 penalty units.

32 Q plates

- (1) A person must not manufacture a replacement Q plate unless the person—
 - (a) has written approval from the chief executive to manufacture the plate; and
 - (b) manufactures the plate under the specifications for the plate stated in the approval.

Maximum penalty—12 penalty units.

- (2) A replacement Q plate manufactured under subsection (1) is taken to have been issued by the chief executive.

- (3) In this section—

Q plate means a number plate the number of which consists of the letter ‘Q’ followed by at least 1, but not more than 6, figures.

33 Personalised number plates

- (1) The chief executive may issue a number plate as a personalised number plate—

- (a) on receipt of—

- (i) an application in the approved form; and

-
- (ii) an amount decided by the chief executive; or
 - (b) on a sale at public auction for an amount acceptable to the chief executive.
 - (2) When the chief executive issues a personalised number plate, the chief executive must—
 - (a) assign a registration number to the person to whom the plate is issued; and
 - (b) record information relating to the plate in the register; and
 - (c) issue to the applicant a registration certificate stating the particulars of the plate.
 - (3) The right to use the number on a personalised number plate issued to a person is the property of the person to whom the plate is issued.
 - (4) A personalised number plate may be—
 - (a) kept without being attached to a vehicle; or
 - (b) subject to subsection (5), attached to a vehicle; or
 - (c) surrendered to the chief executive for cancellation.
 - (5) A person must not attach a personalised number plate to a vehicle until the person has—
 - (a) given the chief executive a notice, in the approved form, of the person's intention to attach the number plate to the vehicle; and
 - (b) received a registration certificate showing the number of the number plate as the registration number for the vehicle.

Maximum penalty—12 penalty units.

- (6) A personalised number plate must be attached to a vehicle under any directions given by the chief executive.

Maximum penalty—12 penalty units.

- (7) The chief executive must not issue a personalised number plate if the number of the plate is identical, or appears to be

[s 34]

identical, to the number of another number plate that is currently issued.

- (8) If a person surrenders a personalised number plate to the chief executive for cancellation, subsection (3) no longer applies to the personalised number plate.

34 Transfer of personalised number plate

- (1) A personalised number plate, including the right to use the number on the personalised number plate, is transferable.
- (2) A person to whom a personalised number plate is transferred, including a person administering a deceased estate, must within 14 days after the transfer—
- (a) notify the chief executive of the transfer in writing; and
 - (b) pay the relevant fee.

Maximum penalty—16 penalty units.

- (3) A person must not transfer a personalised number plate on its own if it is one of a pair.

Maximum penalty—16 penalty units.

35 Converting number plate to personalised number plate

A person may, on payment of an amount decided by the chief executive, apply to the chief executive to convert a number plate to a personalised number plate.

36 Customised number plates

- (1) The registered operator of a vehicle may apply to the chief executive to customise a vehicle's number plate, or a previously issued number plate, other than a personalised number plate.
- (2) A *customised number plate* is a number plate that the registered operator may—
- (a) keep without attaching it to a vehicle; or

-
- (b) subject to subsection (3), attach to a vehicle.
 - (3) The registered operator must not attach a customised number plate to the vehicle unless—
 - (a) the registered operator has given the chief executive notice, in the approved form, of the registered operator's intention to attach the number plate to the vehicle; and
 - (b) the chief executive gives the registered operator a registration certificate showing the number of the number plate as the registration number for the vehicle; and
 - (c) the number plate is attached to the vehicle under any directions given by the chief executive.

Maximum penalty for subsection (3)—12 penalty units.

37 Accessory plates

- (1) This section applies if the chief executive has issued a special plate to a person.
- (2) The person may apply to the chief executive for an accessory plate for an accessory that is to be attached to a vehicle to which the special plate may be attached.
- (3) The accessory plate must display the same registration number as the special plate.
- (4) The application must be in the approved form and be accompanied by the relevant fee.
- (5) If the chief executive decides to issue the plate, the chief executive must issue the plate as soon as convenient after the plate has been prepared.
- (6) A person who attaches an accessory plate to the front of a vehicle must attach the plate—
 - (a) at the front of the accessory; and
 - (b) in a way that allows the accessory plate to be legible from a distance of at least 20m from the front of the accessory.

[s 38]

Maximum penalty—12 penalty units.

- (7) A person who attaches an accessory plate to the rear of a vehicle must attach the plate—
- (a) at the rear of the accessory; and
 - (b) in a way that allows the accessory plate to be legible from a distance of at least 20m from the rear of the accessory.

Maximum penalty—12 penalty units.

- (8) In this section—

accessory means a bike rack or other device attached to the front or rear of a vehicle in a way that—

- (a) makes the vehicle's front or rear number plate not visible or only partly visible; or
- (b) obscures the vehicle's front or rear number plate.

38 Accessory plate for tow truck

- (1) The registered operator of a tow truck may apply to the chief executive for an accessory plate to be attached to unregistered vehicles when towed by the tow truck.
- (2) The accessory plate must display the same registration number as each number plate for the tow truck.
- (3) The application must be in the approved form and be accompanied by the relevant fee.
- (4) If the chief executive decides to issue the plate, the chief executive must issue the plate as soon as convenient after the plate has been prepared.
- (5) A person who attaches an accessory plate for a tow truck to an unregistered vehicle to be towed by the tow truck must attach it to the rearmost end of the vehicle, as towed, in a way that is as nearly as practicable in the same way a number plate would be required to be attached to that end of the vehicle were it a registered vehicle.

Maximum penalty for subsection (5)—12 penalty units.

Division 6 Registration labels

39 Chief executive to issue registration labels

- (1) When a vehicle is registered, the chief executive must issue a registration label for the vehicle to its registered operator.
- (2) The label must be in the approved form and include the following particulars for the vehicle to the extent the particulars are applicable for the vehicle—
 - (a) its registration number;
 - (b) its make;
 - (c) its model or body type, according to which is the more descriptive;
 - (d) its VIN or, if the vehicle does not have a VIN, the vehicle's chassis number or engine number;
 - (e) the expiry day of its registration;
 - (f) if the vehicle is a conditionally registered vehicle, the codes for the conditions of use applying to the vehicle that are stated on the registration certificate for the vehicle;
 - (g) its GVM and, if applicable, GCM;
 - (h) the code for the vehicle charging category under part 11, division 1;
 - (i) if the vehicle is a motorbike, other than a motorbike that is conditionally registered, whether the vehicle is a learner approved motorbike.

40 Position for attaching registration label

- (1) The registered operator of a vehicle must attach the vehicle's registration label to the vehicle—
 - (a) so the entire label is clearly visible from outside the vehicle; and

[s 40]

Example of when an entire label for a vehicle is not clearly visible—

a label placed in a cylindrical registration label holder attached to a motorbike

Note—

See also section 127 (Offences involving registration certificates etc.).

(b) in a way complying with subsections (2) to (6).

Maximum penalty—6 penalty units.

- (2) If the vehicle is a motorbike, the label must be placed in a holder attached to the motorbike on the left-hand side or rear of the motorbike.
- (3) If the vehicle is a trailer that is a category 1 vehicle, the label must be placed to the left-hand side or rear of the trailer.
- (4) If the vehicle is a trailer that is a category 2 vehicle, the label must be placed on or adjacent to the trailer's number plate.
- (5) If the vehicle is other than a vehicle mentioned in subsections (2) to (4) and has a windscreen, the label must be placed—
 - (a) on the lower left-hand corner of the vehicle's windscreen; or
 - (b) on a fixed or pivoted window on the left-hand side of the vehicle.
- (6) If the vehicle is other than a vehicle mentioned in subsections (2) to (4) and does not have a windscreen, the label must be attached, whether or not by a holder, to the left-hand side of the vehicle as near as practicable to the position mentioned in subsection (5)(a).
- (7) The registered operator must take the registration label off the vehicle and destroy it immediately on the sooner of the following—
 - (a) the day another registration label issued for the vehicle is attached to the vehicle;

- (b) 21 days after the expiry day of the registration to which the registration label relates.

Maximum penalty for subsection (7)—6 penalty units.

41 Time for attaching registration label

- (1) The registered operator of a vehicle must attach the vehicle's registration label to the vehicle—
 - (a) for a label issued on initial registration—within 21 days after the application for registration is made; or
 - (b) for a label issued on an application for renewal of registration—
 - (i) if the label is issued before the registration expires—within 21 days after the day on which the registration would have expired if it had not been renewed; or
 - (ii) if the label is issued after the registration expires—within 21 days after the application is made; or
 - (c) for a replacement label—
 - (i) if the label is issued on an application for a replacement label—within 21 days after the application is made; or
 - (ii) if the label is issued as an updated registration label—within 21 days after the chief executive is notified of the matters requiring the issue of an updated registration label.

Maximum penalty—6 penalty units.

- (2) A person does not contravene subsection (1) if it is not reasonably practicable to attach the label within the required time because of a delay by the chief executive in issuing the label.

[s 42]

Part 4 Renewal of registration

42 Registration renewal notice

- (1) A registration renewal notice (a *renewal notice*) for a registered vehicle is a notice sent by the chief executive—
 - (a) addressed to—
 - (i) if the vehicle’s registered operator has given the chief executive a written direction to address the notice to another person—the person; or
 - (ii) otherwise—the vehicle’s registered operator; and
 - (b) stating that, if the vehicle’s registration is not renewed on or before a stated day, it expires.
- (2) However, if the chief executive does not send, or the registered operator does not receive, a renewal notice, the non-receipt of the notice does not affect—
 - (a) the expiry of the vehicle’s registration; or
 - (b) the registered operator’s obligation to renew the vehicle’s registration before it expires, if the registered operator intends to use the vehicle on a road after the existing registration expires.

43 Renewal of registration

- (1) A person may apply for renewal of a vehicle’s registration by presenting the renewal notice, or a written request to renew the vehicle’s registration, to the chief executive together with the following—
 - (a) any vehicle registration fee under schedule 1 or 2 for the vehicle;
 - (b) any registration administration fee for a conditionally registered vehicle under schedule 3 for the vehicle;
 - (c) if the vehicle is a category 1 vehicle—the traffic improvement fee under schedule 3 for the vehicle;

-
- (d) if the vehicle is a category 2 vehicle, other than a trailer—the registration administration fee under schedule 3 for the vehicle;
 - (e) any insurance certificate required under the *Motor Accident Insurance Act 1994* for the vehicle for the proposed term of registration or the insurance premium payable under that Act for the certificate;
 - (f) if the vehicle is a COI vehicle under the Vehicle Standards and Safety Regulation—a current certificate of inspection under that regulation for the vehicle, but only if its owner is required under that regulation to possess a current certificate of inspection for the vehicle;
 - (g) if the applicant is relying on section 95 or 96—the written evidence required under section 99.
- (2) The applicant must nominate the registration term for the vehicle.
 - (3) The registration term must be a term available under section 22 or 45 or permitted under section 23 or 95.
 - (4) The registration of a vehicle may be renewed after its expiry—
 - (a) if the vehicle is registered for a term permitted under section 23—not more than 1 year after the expiry of the registration; or
 - (b) if section 97 applies—not more than 2 years after the expiry of the registration; or
 - (c) otherwise—not more than 3 months after the expiry of the registration.
 - (5) Despite subsection (4), the chief executive may accept an application for renewal of registration at any time if the chief executive considers it reasonable in the circumstances to do so.
 - (6) The expiry day of a renewed term of registration for a vehicle must be worked out as if the renewal had commenced—

[s 44]

- (a) if the vehicle's registration is deferred for a period under section 23(3)(b) or 97(4) and is renewed during, or at the end of, the period—the day after the day the deferral ended; or
 - (b) otherwise—on the day after the day recorded in the register as the expiry day of the registration being renewed.
- (7) Subsections (4) to (6) do not have the effect of retrospectively registering a vehicle.
- (8) If the period by which a vehicle's registration may be renewed has ended but the registration has not been renewed, the chief executive may, by written notice given to the person who was recorded as the vehicle's registered operator before the registration expired, require the person to return the vehicle's number plates to the chief executive within 14 days after the notice is given.
- (9) A person of whom a requirement is made under subsection (8) must not contravene the requirement, unless the person has a reasonable excuse.
- Maximum penalty—20 penalty units.
- (10) Despite subsections (1) to (9), a person may renew a vehicle's registration using any of the ways stated in the renewal notice for the particular renewal.
- (11) Despite subsections (1) to (10), the chief executive may refuse an application for the renewal of the registration of a vehicle under the same circumstances, and in the same way, that the chief executive may refuse an application for the registration of a vehicle under section 17.

44 When surcharge is payable for renewal

- (1) This section applies if—
- (a) an applicant for renewal of registration for a vehicle is not required to pay a CTP insurance premium to the chief executive under section 43(1)(e) in relation to the renewal; and

-
- (b) the applicant underpays the registration-related amount for the renewal by more than \$1.
- (2) This section also applies if—
- (a) an applicant for renewal of registration for a vehicle is required to pay a CTP insurance premium to the chief executive under section 43(1)(e) in relation to the renewal; and
 - (b) the amount paid by the applicant for the purpose of the registration-related amount for the renewal is more than \$1 below what the registration-related amount would be if—
 - (i) the relevant registration fee payable under section 43(1)(a) for the renewal were for 1 year’s registration; and
 - (ii) the CTP insurance premium payable under section 43(1)(e) in relation to the renewal were the lowest premium set by any CTP insurer for insurance covering 1 year’s registration.
- (3) The applicant under subsection (1) or (2) must pay the surcharge under schedule 3.

45 Registration term if overpayment or underpayment of registration-related amount and any surcharge

- (1) This section applies if an applicant for renewal of registration for a vehicle—
- (a) does not present an insurance certificate under the *Motor Accident Insurance Act 1994* for the vehicle for the proposed term of registration to the chief executive under section 43(1)(e); and
 - (b) overpays or underpays the total of the registration-related amount for the renewal and any surcharge payable for the renewal.
- (2) Despite section 22, the registration may be renewed for a term that is in proportion to the amount paid after deducting—

[s 45]

- (a) any surcharge payable for the renewal under schedule 3; and
 - (b) any administrative fee for late payment payable for the renewal.
- (3) However, the registration must not be renewed under subsection (2) if the amount paid is more than \$1 below what the total of the registration-related amount for the renewal and any surcharge payable under schedule 3 for the renewal would be if any CTP insurance premium, payable under section 43(1)(e) in relation to the renewal, for the minimum available registration term for the vehicle, were the lowest premium set by any CTP insurer.
- (4) Also, if the amount paid is more than the registration-related amount for the renewal that would be payable if the registration were to be renewed for 14 months—
- (a) the vehicle’s registration may only be renewed for 1 year; and
 - (b) the difference between the amount paid and the registration-related amount for the 1 year renewal must be refunded.
- (5) If the term of registration would, other than for this subsection, not be a whole number of days—
- (a) the term must be rounded down to the nearest whole day; and
 - (b) the difference between the amount paid and the total of the registration-related amount for the renewal and any surcharge payable for the renewal must be credited to the applicant.
- (6) If subsection (3) applies, the chief executive must refund the amount paid to the applicant.
- (7) The chief executive must give the applicant a written notice stating—
- (a) the term of registration for the vehicle; or

- (b) that the amount paid is being refunded because it is below the minimum required to enable renewal of registration.

46 Administrative fee for late payment if cheque dishonoured

- (1) This section applies if—
 - (a) payment for part or all of the amount payable for renewal of registration is made, before the expiry day of the registration, by cheque or other method of payment; and
 - (b) the cheque or payment is not honoured on presentation or is later dishonoured; and
 - (c) after the payment under paragraph (a), payment for part or all of the amount payable for the renewal is made after the expiry day of the registration.
- (2) In applying the administrative fee for late payment, the purported payment made before the expiry day must be disregarded.

47 Issue of receipt and updating of records

- (1) The renewal of the registration of a vehicle is effective—
 - (a) if the renewal involves the issue of the chief executive's receipt for payment before the expiry of the term of registration being renewed—immediately after the expiry of that term; or
 - (b) if the renewal does not involve the issue of the chief executive's receipt for payment but involves transactions that are completed before the expiry of the term of registration being renewed, including on the day of the expiry—immediately after the expiry of that term; or
 - (c) if the renewal involves the issue of the chief executive's receipt for payment after the expiry of the term of

-
- (c) the duty payable, in relation to the acquisition, under the *Duties Act 2001*;
 - (d) a gas certificate for each gas system in the vehicle;
 - (e) if the purchase or other acquisition of the registered vehicle is a disposal for which, under the Vehicle Standards and Safety Regulation, a current inspection certificate is required—a current inspection certificate under that regulation for the vehicle.
- (3) A dealer who acquires a registered vehicle must notify the chief executive of the acquisition, in the approved form, within 14 days after the acquisition.

Maximum penalty—16 penalty units.

- (4) All amounts payable under subsection (2)(a) and (c) are payable by the person who acquires a vehicle from the day of transfer appearing in the application form.
- (5) If a person who acquires a registered vehicle can not find out the full name and address of the person who sold or disposed of the vehicle or obtain the signature of the person who sold or disposed of the vehicle on an approved form, the person acquiring the vehicle must give a written statement to that effect to the chief executive.
- (6) If a person (the *disposer*) disposes of a registered vehicle to someone else (the *acquirer*) and reasonably believes the acquirer has not applied for transfer of the vehicle's registration within 14 days after acquiring it, the disposer may—
 - (a) apply to the chief executive for transfer of the vehicle's registration to the acquirer; or
 - (b) give notice (a *disposal notice*) to the chief executive, in the approved form, of the disposer's disposal to the acquirer.
- (7) An application under subsection (6)(a) must be in the approved form and be accompanied by the following, to the extent they are applicable—
 - (a) a gas certificate for each gas system in the vehicle;

[s 48]

- (b) if the purchase or other acquisition of the registered vehicle is a disposal for which, under the Vehicle Standards and Safety Regulation, a current inspection certificate is required—a current inspection certificate under that regulation for the vehicle.
- (8) The chief executive, on receipt of an application under subsection (1) or (6)(a), or a notification under subsection (3), or on being satisfied of the correctness of the information contained in a statement received under subsection (5), may—
 - (a) record in the register the day of the transfer appearing in the approved form; and
 - (b) substitute the name and address of the person acquiring the vehicle for those of the registered operator recorded in the register; and
 - (c) issue an updated registration certificate to the person acquiring the vehicle.
- (9) On receipt of a disposal notice under subsection (6)(b), the chief executive may—
 - (a) record in the register the day of disposal stated in the notice; and
 - (b) substitute the name and address of the acquirer of the vehicle for those of the registered operator recorded in the register; and
 - (c) by written notice given to the acquirer, require the acquirer to apply for transfer of the vehicle’s registration within 14 days after the notice is given.
- (10) The acquirer must not contravene the requirement mentioned in subsection (9)(c) unless the acquirer has a reasonable excuse.

Maximum penalty—16 penalty units.
- (11) If the chief executive acts under subsection (9), the person in whose name the vehicle is registered or recorded in the register under a disposal notice is taken to be the vehicle’s registered operator for this regulation until the chief executive

receives another disposal notice for the vehicle or an application for transfer of the vehicle's registration.

49 Failure by dealer to apply for transfer of registration

- (1) This section applies if—
 - (a) a person (the *buyer*) buys or otherwise acquires a registered vehicle from a dealer; and
 - (b) the dealer accepts from the buyer an amount mentioned in section 48(2)(a), (b) or (c).
- (2) The dealer must, within 14 days after the buyer's acquisition of the vehicle, apply to the chief executive on the buyer's behalf for transfer of the vehicle's registration.

Maximum penalty—16 penalty units.

- (3) The buyer does not contravene section 48(1) if an application is not made to the chief executive for transfer of the vehicle's registration within 14 days after the buyer's acquisition of the vehicle.

50 Transfer of registration under legal process

- (1) A person who obtains a registered vehicle under a legal process must notify the chief executive, in the approved form, within 14 days after obtaining the vehicle.

Maximum penalty—16 penalty units.

- (2) A person who repossesses a registered vehicle that is not redeemed within 28 days after the repossession must, within a further 7 days, notify the chief executive, in the approved form, of the repossession and details of the proposed registered operator.

Maximum penalty—16 penalty units.

- (3) A person mentioned in subsection (1) or (2) (the *new owner*) who can not obtain the signature of the vehicle's registered operator on the approved form, must give a written statement to that effect to the chief executive.

[s 51]

- (4) Subsection (5) applies if the chief executive is satisfied—
 - (a) the information contained in a statement received under subsection (3) is correct; and
 - (b) the new owner has a lawful entitlement to the vehicle.
- (5) The chief executive may—
 - (a) record the day of the transfer appearing in the approved form in the register; and
 - (b) substitute the new owner’s name and address for those of the registered operator recorded in the register; and
 - (c) give the new registered operator an updated registration certificate.
- (6) A notice in the approved form under subsection (1) or (2) must be accompanied by the amounts, and by the documents, that would be required under section 48(2) were the notice an application for a transfer of the vehicle’s registration.

51 Refusing to record transfer of registration

- (1) The chief executive may refuse to record a transfer of a vehicle’s registration if—
 - (a) the vehicle is a conditionally registered vehicle and a condition in the safe movement guideline is that the registration is not transferable; or
 - (b) the chief executive reasonably believes there is uncertainty about the ownership, possession or control of the vehicle or that the description of the vehicle as recorded in the register may be inaccurate; or
 - (c) were the vehicle to be the subject of an application for registration, the chief executive would refuse the application.
- (2) If an order of an Australian court prohibits the transfer of a vehicle’s registration and the chief executive has notice of the order, the chief executive must not record a transfer of the registration.

-
- (3) Subsections (1) and (2) do not limit the chief executive's power to refuse to record the transfer of a vehicle's registration.

Part 6 Expiry and cancellation of registration

Division 1 Expiry of registration

52 Expiry of registration

A vehicle's registration expires at the end of the day recorded in the register as the expiry day of the registration unless the registration is sooner cancelled or renewed under this regulation.

53 Return of registration plates when registration expires

- (1) The chief executive may by written notice given to the person who was the registered operator of a vehicle whose registration has expired, require the person to return the vehicle's number plates to the chief executive within 14 days of the date of the notice (the *return period*).
- (2) The person must, within the return period—
- (a) return the vehicle's number plates to the chief executive; or
 - (b) if the plates have been lost, stolen or destroyed, notify the chief executive in writing of the details of the loss, theft or destruction.

Maximum penalty—20 penalty units.

[s 54]

Division 2 Cancellation of registration

54 Cancellation of registration at registered operator's request

- (1) The registered operator of a vehicle may apply to the chief executive to cancel the vehicle's registration if—
 - (a) the registered operator of the vehicle is a dealer, and the vehicle is for sale; or
 - (b) the vehicle—
 - (i) has been stolen; or
 - (ii) has been taken out of Queensland; or
 - (iii) has stopped being used on roads; or
 - (iv) is a total loss.
- (2) The application must be made in the approved form.
- (3) If cancellation is applied for under subsection (1)(b)(iv), the approved form must include a statement by or for the applicant that the vehicle has not been used on a road since it became a total loss.
- (4) Also, a person acting under the authority of a court to sell a vehicle may apply to the chief executive to cancel the vehicle's registration.
- (5) If the application of the registered operator of a vehicle to cancel the vehicle's registration is made by another person on behalf of the registered operator, the other person must give the chief executive written evidence of the other person's appointment, as the registered operator's agent, with the application.
- (6) If a person acting under the authority of a court to sell a vehicle applies to the chief executive to cancel the vehicle's registration, the person must give the chief executive, with the application, written evidence of the person's authority to sell the vehicle.

-
- (7) A person applying under subsection (1) or (4) must include with the application—
- (a) if the registration label or a number plate has been lost, stolen or destroyed—each of those items that has not been lost, stolen or destroyed, and a statement advising of the loss, theft or destruction of the other item or items; or
 - (b) if paragraph (a) does not apply—the vehicle’s registration label and number plates for the vehicle.
- (8) Also, if the vehicle is a total loss, the person must include with the application the notifiable information for the vehicle the person would have been required to give the chief executive under section 75.
- (9) The chief executive must cancel the vehicle’s registration unless—
- (a) the applicant has not complied with subsection (5), (6), (7) or (8); or
 - (b) the chief executive is already taking action to cancel the registration because of a ground mentioned in section 57 or 58.

55 Cancellation if registration in other State

The chief executive may cancel a vehicle’s registration other than on a person’s application if the chief executive knows that the vehicle has been registered in another State under a corresponding law to this regulation.

56 Partial refund of registration fee

- (1) This section applies if a vehicle’s registration is cancelled under section 54 or 55.
- (2) The chief executive must make a partial refund of the registration fee paid for the vehicle to the person who was the registered operator immediately before the cancellation.

[s 57]

- (3) The refund is worked out using the following formula—

$$\text{refund} = \frac{\text{number of days}}{365} \times \text{annual registration fee}$$

where—

number of days is the number of unexpired whole days of the registration term for which the fee was paid, from the day on which the chief executive approves the application to cancel the registration.

- (4) However, the chief executive may deduct from the refund—
- (a) the administration fee for making the refund stated in schedule 3; and
 - (b) any unpaid fees payable under a transport Act for the vehicle.

57 Cancellation for noncompliance with defect notice

- (1) A ground exists to cancel the registration of a registered vehicle if—
- (a) a defect notice is issued under the Vehicle Standards and Safety Regulation for the vehicle; and
 - (b) the vehicle's registered operator contravenes the requirements of the defect notice; and
 - (c) the chief executive gives the registered operator a written notice (the *warning notice*) stating that a ground will exist to cancel the vehicle's registration under section 19 of the Act at the end of 14 days after the date of the warning notice if the registered operator does not, within that time—
 - (i) comply with the defect notice; or
 - (ii) ask the chief executive to cancel the vehicle's registration; and
 - (d) the chief executive is satisfied that the registered operator has not complied with all the requirements of

the defect notice within the 14 days mentioned in paragraph (c); and

- (e) the registered operator has not asked the chief executive to cancel the vehicle's registration.
- (2) If the chief executive decides to cancel the registration under section 19(2)(c) of the Act, the chief executive must include in the written notice given under section 19(3) of the Act a requirement that the person (the *relevant person*) to whom the notice is directed must return the vehicle's registration label and number plates to the chief executive within 14 days after the giving of the notice (the *return period*).
- (3) The relevant person must return the vehicle's registration label and number plates to the chief executive within the return period.

Maximum penalty—20 penalty units.

- (4) However, if the registration label or a number plate has been lost, stolen or destroyed, the relevant person does not contravene subsection (3) in relation to the registration label or number plate if the relevant person, within the return period, notifies the chief executive in writing of the details of the loss, theft or destruction.

58 Cancellation of registration of vehicle or dealer plate

- (1) This section applies if—
- (a) a registered vehicle does not conform with the requirements applying to the vehicle under a vehicle law about the construction, equipment and performance of motor vehicles; or
 - (b) the acquirer of a vehicle does not comply with a notice given under section 48(9)(c); or
 - (c) the registration or renewal of registration of a vehicle or dealer plate is paid for by a cheque, or by another method of payment, that is not honoured on presentation or is later dishonoured, and the chief executive has not

[s 58]

yet received full payment for the registration or renewal;
or

- (d) less than the correct amount is paid in relation to the payment for registration, or renewal of registration, of a vehicle or dealer plate, and the chief executive has not yet received the unpaid amount; or
 - (e) a vehicle is recorded in the register as a written-off vehicle; or
 - (f) the application for the registration of a vehicle or dealer plate was not accompanied by a document required under section 13(1) in relation to a vehicle or section 62(4) in relation to a dealer plate.
- (2) If this section applies in relation to a vehicle, a ground exists to cancel the registration of the vehicle.
 - (3) If the chief executive decides to cancel the vehicle's registration under section 19(2)(c) of the Act, the chief executive must include in the written notice given under section 19(3) of the Act a requirement that the person (the **relevant person**) to whom the notice is directed must return the vehicle's registration label and number plates to the chief executive within 14 days after the giving of the notice (the **return period**).
 - (4) The relevant person must return the vehicle's registration label and number plates to the chief executive within the return period.
Maximum penalty—20 penalty units.
 - (5) However, if the registration label or a number plate has been lost, stolen or destroyed, the relevant person does not contravene subsection (4) in relation to the registration label or number plate if the relevant person, within the return period, notifies the chief executive in writing of the details of the loss, theft or destruction.
 - (6) If this section applies in relation to a dealer plate, a ground exists to cancel the registration of the dealer plate.

-
- (7) If the chief executive decides to cancel the registration of the dealer plate under section 19(2)(c) of the Act, the chief executive must include in the written notice given under section 19(3) of the Act a requirement that the person (the *dealer plate holder*) to whom the notice is directed must return the dealer plate and the registration label for the dealer plate to the chief executive within 14 days after the giving of the notice (the *dealer plate return period*).
- (8) The dealer plate holder must return the dealer plate and registration label for the dealer plate to the chief executive within the dealer plate return period.
- Maximum penalty—30 penalty units.
- (9) However, if the dealer plate or registration label has been lost, stolen or destroyed, the dealer plate holder does not contravene subsection (8) if the dealer plate holder, within the dealer plate return period, gives the chief executive written notice of the details of the loss, theft or destruction.
- (10) Nothing in this section stops the chief executive from recovering from the relevant person or dealer plate holder an amount, worked out on a proportional basis, of any amount for registration referable to the period ending on the cancellation.
- (10A) For the purpose of recovering from the relevant person or dealer plate holder the amount mentioned in subsection (10), the chief executive may, by written notice, require the relevant person or dealer plate holder to pay the amount.
- (10B) A relevant person to whom a notice is given under subsection (10A) must pay the amount within 28 days after the chief executive gives the notice.
- Maximum penalty—
- (a) if the amount is in relation to a category 1 vehicle—20 penalty units; or
 - (b) if the amount is in relation to a category 2 vehicle—60 penalty units.

[s 59]

- (10C) A dealer plate holder to whom a notice is given under subsection (10A) must pay the amount within 28 days after the chief executive gives the notice.

Maximum penalty—30 penalty units.

- (11) Section 56 of the Act does not apply to a registration, or renewal of registration, of a vehicle or dealer plate.

59 Recording cancellation of registration in register

- (1) If the chief executive cancels a vehicle's registration, the chief executive must record the cancellation in the register.
- (2) If the vehicle's registered operator applied for the cancellation under section 54(1)(a) or (b)(ii) or (iii), the cancellation is effective on the day of receipt of the application conforming with that section.
- (3) However, if on an application under subsection 54(1)(b)(ii) the chief executive is satisfied the vehicle has been registered in another State under a corresponding law to this regulation, the cancellation is taken to be effective on the day immediately after the day the vehicle was registered in the other State.
- (4) If the vehicle's registered operator applied for the cancellation under section 54(1)(b)(i), the cancellation is effective on the day after the vehicle is reported as stolen to the Queensland Police Service.
- (5) If the vehicle's registered operator applied for the cancellation under section 54(1)(b)(iv), the cancellation is effective on the day after the day the vehicle stopped being used on roads as a result of it having become a total loss.
- (6) If the chief executive cancels a vehicle's registration under section 55, the cancellation is taken to be effective on the day immediately after the day the vehicle was registered in the other State.
- (7) If none of subsections (2) to (6) apply, the cancellation is effective on the day the chief executive records the cancellation in the register.

Part 7 When registration unnecessary

Division 1 Unregistered vehicle permits

60 Unregistered vehicle permits

- (1) A person may apply to the chief executive to authorise the use of an unregistered vehicle on a road by issuing an unregistered vehicle permit for the vehicle.
- (2) The application must be in the approved form and be accompanied by—
 - (a) the relevant fee; and
 - (b) any insurance certificate required under the *Motor Accident Insurance Act 1994* for the vehicle for the proposed term of the permit.
- (3) The chief executive may issue the permit for the term, which must not be longer than 7 days, and on the reasonable conditions, stated in it.
- (4) If the permit is issued on conditions, it is void if the conditions are contravened.
- (5) A person to whom an unregistered vehicle permit is issued must ensure that, whenever the vehicle is being used under the permit on a road—
 - (a) if the vehicle is a motorbike or a vehicle that may be conditionally registered—the driver carries the permit; or
 - (b) if the vehicle is a trailer—the permit is carried in the vehicle towing the trailer; or
 - (c) otherwise—the permit is attached to the vehicle in the way required under section 40 as if it were a registration label.

Maximum penalty—12 penalty units.

[s 61]

- (6) The chief executive may not issue an unregistered vehicle permit for a vehicle that—
 - (a) does not conform with a vehicle law; or
 - (b) is recorded in the register, or in a register kept under a corresponding law to this regulation, as a written-off vehicle.

Division 2 Dealer plates

61 Designation of dealer plates

The chief executive may designate a series of number plates as dealer plates.

62 Registration of dealer plate

- (1) An unregistered vehicle may be used on a road if—
 - (a) a dealer plate is attached to the vehicle; and
 - (b) the registration of the dealer plate is current.
- (2) The chief executive must not register a dealer plate unless the chief executive is satisfied that the person in whose name the dealer plate is to be registered is a person who requires the plate for the conduct of the person's business.
- (3) A person may apply to the chief executive for a dealer plate.
- (4) The application must be in the approved form and be accompanied by—
 - (a) the relevant fee; and
 - (b) any insurance certificate required under the *Motor Accident Insurance Act 1994* for the proposed registration term or the insurance premium payable under that Act for the certificate.
- (5) On registering the dealer plate, the chief executive must—

-
- (a) assign a registration number to the person to whom the dealer plate is issued; and
 - (b) record in the register the following particulars—
 - (i) the name, address and place of business of the person to whom the plate has been issued;
 - (ii) commencement and expiry days for the registration of the dealer plate; and
 - (c) give the applicant—
 - (i) a registration certificate; and
 - (ii) the dealer plate; and
 - (iii) a registration label for the dealer plate.
- (6) The registration of a dealer plate is renewable, but is not transferable.
- (7) In this section—
unregistered vehicle does not include a vehicle that—
- (a) is not capable of being registered under this regulation;
or
 - (b) is only capable of being conditionally registered with limited access registration or zone access registration.

63 Attaching dealer plate

- (1) The person in whose name a dealer plate is registered must ensure that when an unregistered vehicle is used under the authority of the dealer plate on a road—
 - (a) the registration label for the dealer plate is attached to the dealer plate; and
 - (b) the dealer plate is attached to the vehicle in the way required under subsection (2).

Maximum penalty—12 penalty units.

- (2) The plate must be attached to the vehicle in the way required if the dealer plate were a number plate issued for the vehicle.

[s 64]

- (3) Subsection (1)(a) does not apply if—
 - (a) fewer than 14 days have elapsed since the dealer plate was registered, or the dealer plate's registration was renewed, in the person's name; and
 - (b) the person has not yet received the registration label from the chief executive.

64 Use of dealer plates

- (1) A person must not use, or permit to be used, on a road a vehicle with a dealer plate attached to it unless the vehicle—
 - (a) is being demonstrated for its sale; or
 - (b) is being delivered to a purchaser after sale; or
 - (c) is travelling to or from a workshop or another facility for—
 - (i) painting, repairs or motor body construction work; or
 - (ii) the fitting of optional equipment before delivery to a purchaser; or
 - (d) is being tested after having been painted or repaired, or after having been the subject of motor body construction work; or
 - (e) is being used for demonstration purposes for the conduct of an art union under the *Charitable and Non-Profit Gaming Act 1999*; or
 - (f) is being used for a purpose approved by the chief executive in a written notice given to the person in whose name the dealer plate is registered; or
 - (g) is being driven or towed for testing to confirm the safe operation of the vehicle as part of an inspection for obtaining an inspection certificate under the *Vehicle Standards and Safety Regulation*; or

-
- (h) is being driven or towed to an AIS for inspection for obtaining an inspection certificate under the Vehicle Standards and Safety Regulation; or
 - (i) is recorded in the register as a repairable write-off and is being driven or towed to a written-off vehicle inspection site for obtaining a written-off vehicle inspection report; or
 - (j) is being driven or towed to a place as required by the chief executive; or
 - (k) is being driven or towed to an office of the chief executive to be registered; or
 - (l) is being driven or towed from the manufacturer or a distributor of the vehicle to a dealer; or
 - (m) is being driven or towed between a dealer's premises where vehicles are sold or displayed for sale and other premises, of the same or a different dealer, where vehicles are sold or displayed for sale, whether or not a sale has taken place.

Maximum penalty—16 penalty units.

- (1A) Section 15, and not this section, applies in relation to a vehicle if—
 - (a) a person uses, or permits to be used on a road the vehicle with a dealer plate attached to it and the vehicle is being driven or towed, as mentioned in subsection (1)(g), (h), (i), (j) or (k); and
 - (b) the requirements of section 15(2) are complied with for the vehicle.
- (2) A person must not use, or permit to be used, on a road a vehicle with a dealer plate, other than a dealer (trailer trade) plate, attached to it if the vehicle is carrying a load or towing a vehicle carrying a load, unless the vehicle with the dealer plate attached—
 - (a) is a boat trailer carrying a boat; or

[s 64]

- (b) is towing a motor vehicle travelling on its rear wheels only, with its front part mounted on the towing vehicle; or
- (c) is carrying the load only to demonstrate the vehicle for its sale, and not for hire or reward.

Maximum penalty—40 penalty units.

- (3) A person must not use, or permit to be used, on a road a vehicle with a dealer (trailer trade) plate attached to it unless the vehicle is—
 - (a) a trailer not carrying a load; or
 - (b) a boat trailer, carrying 1 or more boat trailers, being towed from the manufacturer or a distributor of all the trailers to a dealer; or
 - (c) a boat trailer carrying a boat; or
 - (d) a trailer carrying a load only to demonstrate the trailer for its sale, and not for hire or reward.

Maximum penalty—40 penalty units.

- (4) A person must not use, or permit to be used, on a road a vehicle with a dealer plate attached to it unless the person in whose name the dealer plate is registered—
 - (a) is the person who used the dealer plate; or
 - (b) authorised the person to use, or permit another person to use, the dealer plate.

Maximum penalty—16 penalty units.

- (5) A person must not use, or permit to be used, on a road a vehicle with a dealer plate attached to it unless the vehicle is used in the conduct of the business of the person in whose name the dealer plate is registered.

Maximum penalty—16 penalty units.

- (6) In this section—

dealer (trailer trade) plate means a dealer plate issued under this division authorising the use of an unregistered trailer on a road.

65 Cancellation of dealer plates

- (1) The chief executive may cancel the registration of a dealer plate, and record the cancellation in the register, if the person in whose name the plate is registered—
 - (a) applies in writing to the chief executive for the cancellation; and
 - (b) unless the person has given the chief executive written notice of details of the loss, theft or destruction of—
 - (i) the dealer plate—returns the dealer plate to the chief executive; or
 - (ii) the registration label for the dealer plate—returns the registration label to the chief executive.
- (2) Subsection (3) applies if either of the following events (the *relevant event*) happens in relation to a person in whose name a dealer plate is registered—
 - (a) the person stops carrying on the business for which the plate was registered;
 - (b) there is a material change in the nature of the person's business from that stated in the person's application for the registration of the plate.
- (3) The person must, within 14 days after the relevant event happens—
 - (a) give the chief executive written notice about the relevant event; and
 - (b) return the dealer plate and registration label for the dealer plate to the chief executive.

Maximum penalty—30 penalty units.

[s 65]

- (4) On receiving a notice under subsection (3), the chief executive must cancel the registration of the dealer plate and record in the register the cancellation of the registration.
- (5) A ground exists to cancel the registration of a dealer plate if a person required to comply with subsection (3) does not notify the chief executive under subsection (3)(a).
- (6) If, the chief executive decides to cancel the registration of a dealer plate under section 19(2)(c) of the Act, the chief executive must include in the written notice given under section 19(3) of the Act a requirement that the person (the *relevant person*) to whom the notice is directed must, unless the relevant person has already done so, return the dealer plate and registration label for the dealer plate to the chief executive within 14 days after the giving of the notice.
- (7) The relevant person must comply with the requirement under subsection (6).

Maximum penalty—30 penalty units.

- (8) If a dealer plate or registration label for the dealer plate required to be returned under subsection (3)(b) or (7) (the *relevant provision*) has been lost, stolen or destroyed, the person required to return the dealer plate or registration label does not contravene the relevant provision if the person, in the period within which the dealer plate or registration label is required to be returned, gives the chief executive written notice of the details of the loss, theft or destruction.
- (9) The cancellation of the registration of a dealer plate is effective—
 - (a) for a cancellation under subsection (1)—immediately the person has complied with the subsection; or
 - (b) otherwise—on the day the chief executive records the cancellation in the register.

Part 8 **Written-off vehicles**

Division 1 **Objects of part 8**

66 **Objects**

The objects of this part include—

- (a) to provide for the collection of information about written-off vehicles; and
- (b) to provide for the inspection of written-off vehicles that are repairable write-offs.

Division 2 **Notifying of written-off vehicle information**

67 **General obligations of notifiers**

- (1) The chief executive may require a notifier required to give notifiable information for a written-off vehicle under this regulation to give to the chief executive information, other than notifiable information, for the vehicle.
- (2) The information the chief executive may require under subsection (1) must be information the chief executive reasonably considers is required to maintain the integrity of information about written-off vehicles kept by the chief executive in the register.
- (3) The notifier must comply with a requirement given under this section.

Maximum penalty for subsection (3)—20 penalty units.

[s 68]

68 Auditing of notifiers

- (1) The chief executive must conduct audits of notifiers' operations as givers of notifiable information about written-off vehicles under this regulation.
- (2) A notifier must allow the notifier's operations as a giver of notifiable information to be audited by the chief executive.

Maximum penalty—20 penalty units.

- (3) If the report of an audit under this section identifies noncompliance with this regulation, the chief executive may, by written notice given to the notifier, require the notifier to give the chief executive, within 14 days after the date of the notice, a notice signed by the notifier stating the action the notifier has taken to do either or both of the following, as directed in the chief executive's notice—
 - (a) rectify the noncompliance;
 - (b) ensure that the noncompliance does not continue or happen again.
- (4) The notifier must comply with the requirement, unless the notifier has a reasonable excuse.

Maximum penalty—20 penalty units.

- (5) In a proceeding against the notifier for an offence against this regulation, other than for an offence against subsection (4), neither the notice given by the notifier, nor the fact that the notifier gave the notice, can be used in evidence against the notifier.
- (6) If an audit report identifies material noncompliance with this regulation, the notifier must pay the cost of the audit and of compiling the audit report, but is not otherwise required to pay the cost.

69 Obligation of notifiers to give notifiable information

- (1) A notifier must, under this division, give notifiable information for a vehicle to the chief executive—
 - (a) in the approved form; or

-
- (b) if the notifier obtains the chief executive's approval to give the notifiable information in an electronic form—in the electronic form.
 - (2) A notifier may change details of the notifiable information given to the chief executive for a vehicle by giving written notice of the change to the chief executive, but only if—
 - (a) the vehicle has not been repaired; and
 - (b) the vehicle has not left the notifier's possession since the notifier gave the information to the chief executive.
 - (3) A notifier must not knowingly or recklessly give notifiable information for a vehicle to the chief executive that is false or misleading in a material particular.

Maximum penalty for subsection (3)—80 penalty units.

70 Obligation of insurer to report written-off vehicle

- (1) This section applies if an insurer, in the course of the business carried on by the insurer in Queensland, and whether or not on the advice of a loss adjuster—
 - (a) assesses as a total loss a notifiable vehicle registered under this regulation; or
 - (b) assesses as a total loss a notifiable vehicle that is anywhere in Australia, but is not registered under this regulation or a corresponding law to this regulation.
- (2) The insurer must give the chief executive the notifiable information for the vehicle before the first of the following happens—
 - (a) 7 days elapse after the insurer makes a final decision for a claim in relation to the vehicle;
 - (b) the insurer—
 - (i) disposes of the vehicle; or
 - (ii) disposes of any part of the vehicle that has a chassis number or VIN; or
 - (iii) sells the vehicle; or

[s 71]

- (iv) sells any part of the vehicle that has a chassis number or VIN.

Maximum penalty—50 penalty units.

71 Obligation of self-insurer to report written-off vehicle

- (1) This section applies if a self-insurer—
 - (a) assesses as a total loss a notifiable vehicle registered under this regulation in the name of the self-insurer; or
 - (b) assesses as a total loss a notifiable vehicle that is anywhere in Australia and is owned by the self-insurer, but is not registered under this regulation or a corresponding law to this regulation.
- (2) The self-insurer must give the chief executive the notifiable information for the vehicle before the first of the following happens—
 - (a) 7 days elapse after making the assessment;
 - (b) the self-insurer—
 - (i) disposes of the vehicle; or
 - (ii) disposes of any part of the vehicle that has a chassis number or VIN; or
 - (iii) sells the vehicle; or
 - (iv) sells any part of the vehicle that has a chassis number or VIN.

Maximum penalty—50 penalty units.

72 Obligation of loss adjuster to report written-off vehicle

- (1) This section applies if a loss adjuster, acting in the course of the business carried on by the loss adjuster, but acting other than to advise an insurer, auctioneer or dealer—
 - (a) assesses as a total loss a notifiable vehicle registered under this regulation; or

- (b) assesses as a total loss a notifiable vehicle that is in Queensland, but is not registered under this regulation or a corresponding law to this regulation.
- (2) The loss adjuster must give the chief executive the notifiable information for the vehicle within 7 days after finalising the loss adjuster's assessment of the vehicle.

Maximum penalty—50 penalty units.

73 Obligation of dealer or auctioneer to report written-off vehicle

- (1) This section applies if a person who is a dealer or an auctioneer, in the course of the business carried on by the person, has in the person's possession—
 - (a) a notifiable vehicle, registered under this regulation, that is a total loss; or
 - (b) a notifiable vehicle, not registered under this regulation or a corresponding law to this regulation, that is a total loss.
- (2) The person must give the chief executive the notifiable information for the vehicle before the first of the following happens—
 - (a) 7 days elapse after the person takes possession of the vehicle;
 - (b) the auctioneer or dealer—
 - (i) disposes of the vehicle; or
 - (ii) disposes of any part of the vehicle that has a chassis number or VIN; or
 - (iii) sells the vehicle; or
 - (iv) sells any part of the vehicle that has a chassis number or VIN.

Maximum penalty—50 penalty units.

[s 74]

- (3) The person is not required to act under subsection (2) if someone else has already given the notifiable information for the vehicle to the chief executive.
- (4) In this section—
possession includes custody or control.

74 Obligation of auto parts dismantler to report written-off vehicle

- (1) This section applies if a person who is an auto parts dismantler, in the course of the business carried on by the person—
 - (a) assesses as a total loss a notifiable vehicle registered under this regulation; or
 - (b) assesses as a total loss a notifiable vehicle that is in Queensland, but is not registered under this regulation or a corresponding law to this regulation.
- (2) The person must give the chief executive the notifiable information for the vehicle before the first of the following happens—
 - (a) 7 days elapse after the person takes possession of the vehicle;
 - (b) the person—
 - (i) demolishes or dismantles the vehicle; or
 - (ii) disposes of the vehicle; or
 - (iii) disposes of any part of the vehicle that has a chassis number or VIN; or
 - (iv) sells the vehicle; or
 - (v) sells any part of the vehicle that has a chassis number or VIN.

Maximum penalty—50 penalty units.

- (3) The person is not required to act under subsection (2) if someone else has already given the notifiable information for the vehicle to the chief executive.
- (4) Despite subsection (3), the person must give the chief executive the notifiable information for the vehicle on demolishing or dismantling the vehicle.

75 Obligation of registered operator or owner of unregistered vehicle to report written-off vehicle

- (1) This section applies if a person, other than a self-insurer, proposes to sell or otherwise dispose of a notifiable vehicle, or a part of a notifiable vehicle that has an identifying number, and—
 - (a) the vehicle is a total loss; and
 - (b) either—
 - (i) the person is the registered operator of the vehicle; or
 - (ii) if the vehicle is not registered under this regulation or a corresponding law to this regulation, the person is the owner of the vehicle and the vehicle is in Queensland.
- (2) The person must give the chief executive the notifiable information for the vehicle, in the approved form, before—
 - (a) disposing of the vehicle; or
 - (b) disposing of any part of the vehicle that has a chassis number or VIN; or
 - (c) selling the vehicle; or
 - (d) selling any part of the vehicle that has a chassis number or VIN.

Maximum penalty—10 penalty units.

- (3) Despite subsection (2), the person is not required to state whether the vehicle is a repairable write-off or a statutory write-off.

[s 76]

- (4) The chief executive is taken to have been notified that the vehicle is a repairable write-off unless someone else has already—
 - (a) given the notifiable information for the vehicle to the chief executive; and
 - (b) stated that the vehicle is a statutory write-off.
- (5) The person is not required to act under subsection (2) if someone else has already given the information to the chief executive.

76 Notifier's obligation to tell registered operator or owner

- (1) This section applies if—
 - (a) a notifier gives the notifiable information for a notifiable vehicle to the chief executive under this part; and
 - (b) the notifier is not the registered operator or owner of the vehicle.
- (2) The notifier must tell the registered operator of the vehicle or, if the vehicle is not registered under this regulation or a corresponding law to this regulation, the owner of the vehicle, that the notifier has given the information to the chief executive.

Maximum penalty—10 penalty units.

77 Obligation on notifiers to attach written-off vehicle label to written-off vehicle

- (1) This section applies if a notifier gives notifiable information for a notifiable vehicle to the chief executive under this part.
- (2) The notifier must, under subsections (4) to (7), on giving the information to the chief executive, attach to the vehicle a label, for the vehicle, that meets the chief executive's specifications.

Maximum penalty—30 penalty units.

- (3) The chief executive must advise the notifier of the chief executive's specifications for the label.
- (4) The label must state whether the vehicle is a repairable write-off or a statutory write-off.
- (5) If the label states that the vehicle is a repairable write-off, the label must also state that a repairable write-off can be registered under this regulation only if it passes a written-off vehicle inspection.
- (6) If the label states that the vehicle is a statutory write-off, the label must also state that a statutory write-off can not be registered under this regulation.
- (7) The label must be attached to the vehicle in a conspicuous position so as to be clearly visible from outside the vehicle.

Examples of when a label is not attached in a conspicuous position—

- label attached to back seat
- label attached to vehicle floor

78 Obligation on registered operator or owner to attach written-off vehicle label to written-off vehicle

- (1) This section applies if the registered operator or owner of a notifiable vehicle gives the notifiable information for the vehicle to the chief executive under this part.
- (2) The registered operator or owner must, under subsection (3), attach a label in the approved form to the vehicle.

Maximum penalty—30 penalty units.

- (3) The label must—
 - (a) be attached to the vehicle within 24 hours after the person gives the information to the chief executive; and
 - (b) be attached to the vehicle in a conspicuous position so as to be clearly visible from outside the vehicle.

[s 79]

Examples of when a label is not attached in a conspicuous position—

- label attached to back seat
- label attached to vehicle floor

79 Offence to remove written-off vehicle label

A person must not remove from a vehicle a label attached to the vehicle under this part while the vehicle is recorded in the register as a written-off vehicle, unless the person has a reasonable excuse.

Maximum penalty—30 penalty units.

80 Written-off vehicles must not be used on road

- (1) A person must not use, or permit to be used, on a road a vehicle that is recorded in the register, or in a register kept under a corresponding law to this regulation, as a statutory write-off.

Maximum penalty—20 penalty units.

- (2) A person must not use, or permit to be used, on a road a vehicle that is—
- (a) registered under this regulation or under a corresponding law to this regulation; and
 - (b) recorded in the register, or in a register kept under a corresponding law to this regulation, as a repairable write-off.

Maximum penalty—20 penalty units.

- (3) A person does not commit an offence against subsection (2) if the vehicle is being driven or towed to—
- (a) an AIS for inspection for obtaining an inspection certificate under the Vehicle Standards and Safety Regulation; or
 - (b) a written-off vehicle inspection site for obtaining a written-off vehicle inspection report, but only if there is

- a current inspection certificate for the vehicle under the Vehicle Standards and Safety Regulation; or
- (c) another place as required by the chief executive.

Examples for paragraph (c)—

- a place for inspecting by the Queensland Police Service
- a place for road testing by an inspection station
- a place for having an identifying number stamped

Division 3 Written-off vehicle inspections

81 Definition for div 3

In this division—

approval means an approval of a person as—

- (a) an approved written-off vehicle examiner; or
- (b) an approved written-off vehicle nominee.

82 Approvals

- (1) The chief executive may grant a person an approval.
- (2) A person may apply to the chief executive in the approved form for an approval.
- (3) The chief executive must consider an application for an approval within 28 days after it is received and decide either to—
- (a) grant the approval; or
- (b) refuse to grant the approval.
- (4) If the chief executive decides an applicant is a suitable person for an approval, the chief executive must, promptly after making the decision, grant the approval.

[s 83]

83 Conditions of approval

An approval may be granted subject to conditions, including—

- (a) for an approval of a person as an approved written-off vehicle examiner—
 - (i) a condition that the approved written-off vehicle examiner may only perform written-off vehicle inspections while employed or otherwise engaged by a person contracted by the chief executive to operate a written-off vehicle inspection site; and
 - (ii) conditions about the way the approved written-off vehicle examiner is to perform written-off vehicle inspections; or
- (b) for an approval of a person as an approved written-off vehicle nominee—
 - (i) a condition that the approved written-off vehicle nominee may only supervise the day-to-day running of written-off vehicle inspections while employed or otherwise engaged by a person contracted by the chief executive to operate a written-off vehicle inspection site; and
 - (ii) conditions about the way the approved written-off vehicle nominee is to supervise the day-to-day running of written-off vehicle inspections.

84 Granting or refusing to grant approval

- (1) If the chief executive decides to grant the approval, the chief executive must give written notice to the applicant of the decision promptly after making the decision.
- (2) The notice must state—
 - (a) any conditions to which the approval is subject; and
 - (b) that the applicant may ask for the decision to impose the conditions to be reviewed under section 111.

-
- (3) If the chief executive decides to refuse to grant the approval, the chief executive must give written notice to the applicant of the decision promptly after making the decision.
 - (4) The notice must state—
 - (a) the reasons for the refusal; and
 - (b) that the applicant may ask for the decision to be reviewed under section 111.

85 Approval prescribed for Act, ss 17B(2) and 18(1)(c)(ii)

An approval under this division is prescribed for sections 17B(2) and 18(1)(c)(ii) of the Act.

Division 4 Offences relating to written-off vehicle inspections

86 Performing written-off vehicle inspection when not approved

A person must not perform, or purport to perform, a written-off vehicle inspection unless the person is an approved written-off vehicle examiner.

Maximum penalty—80 penalty units.

87 Supervising written-off vehicle inspections when not approved

A person must not supervise, or purport to supervise, the running of written-off vehicle inspections unless the person is an approved written-off vehicle nominee.

Maximum penalty—80 penalty units.

[s 88]

88 Not complying with conditions of approval

A person holding an approval must comply with any conditions stated in the approval.

Maximum penalty—80 penalty units.

89 False or misleading written-off vehicle inspection report

A person must not knowingly or recklessly give a written-off vehicle inspection report to another person that is false or misleading in a material particular.

Maximum penalty—80 penalty units.

90 Operating place as a written-off vehicle inspection site

A person must not operate, or purport to operate, a place as a written-off vehicle inspection site unless the person is contracted by the chief executive to operate the place as a written-off vehicle inspection site.

Maximum penalty—80 penalty units.

91 Performing written-off vehicle inspection at place other than written-off vehicle inspection site

An approved written-off vehicle examiner must not perform a written-off vehicle inspection at a place other than a place operated by a person contracted by the chief executive to operate the place as a written-off vehicle inspection site.

Maximum penalty—80 penalty units.

92 Supervising written-off vehicle inspections at place other than written-off vehicle inspection site

An approved written-off vehicle nominee must not supervise the running of written-off vehicle inspections at a place other than a place operated by a person contracted by the chief

executive to operate the place as a written-off vehicle inspection site.

Maximum penalty—80 penalty units.

93 False advertising or holding out

A person must not falsely advertise or hold out that a particular place is a place where written-off vehicle inspections may be performed.

Maximum penalty—80 penalty units.

Part 9 Measures for disasters or droughts

94 Definitions for pt 9

In this part—

disaster relief financial assistance means financial assistance granted by the State or Commonwealth to a person in relation to an address because of a disaster.

drought declaration means an official acknowledgement by the State or Commonwealth that an area or property is drought-stricken.

drought-declared area means an area for which a drought declaration is in force.

drought-declared property means a property for which a drought declaration is in force.

eligibility period, for an eligible vehicle, means—

- (a) for an eligible vehicle (disaster)—1 year from and including the day a person is granted disaster relief financial assistance in relation to the same address as the vehicle's garage address; or

[s 94]

- (b) for an eligible vehicle (drought)—
 - (i) while the vehicle’s garage address is in a drought-declared area or at a drought-declared property; or
 - (ii) 1 year after the area or property that the vehicle’s garage address is in or at stopped being a drought-declared area or drought-declared property.

eligible vehicle means an eligible vehicle (disaster) or eligible vehicle (drought).

eligible vehicle (disaster) means a vehicle that has its garage address at the same address as the address in relation to which disaster relief financial assistance has been granted to a person.

eligible vehicle (drought) means a vehicle—

- (a) either—
 - (i) that has its garage address in a drought-declared area or at a drought-declared property; or
 - (ii) that has its garage address in an area or at a property that has stopped being a drought-declared area or drought-declared property and for which section 95 or 96 was relied on while the area or property was a drought-declared area or drought-declared property; and
- (b) for which the register records the vehicle’s purpose of use as private purposes or farming purposes; and
- (c) that is not—
 - (i) a conditionally registered vehicle; or
 - (ii) a vehicle, with distance and road use limits imposed by the chief executive, owned by a primary producer and used only in the owner’s business as a primary producer.

95 Reduced term of registration or renewal of registration

- (1) This section applies if an applicant for registration, or renewal of registration, of an eligible vehicle complies with section 99(3) for the vehicle during the eligibility period for the vehicle.
- (2) This section applies in addition to section 22.
- (3) The vehicle may be registered for a term of 3 months, or the vehicle's registration may be renewed for a term of 3 months, during the period of 1 year from and including—
 - (a) for registration—the day of registration of the vehicle; or
 - (b) for renewal of registration—the day of renewal of registration of the vehicle in relation to which section 99(3) was complied with for the vehicle during the eligibility period for the vehicle.

96 Exemption from surcharge for reduced registration term or from administrative fee for late payment

- (1) Subsection (2) applies if an applicant for registration of an eligible vehicle complies with section 99(3) for the vehicle during the eligibility period for the vehicle.
- (2) The applicant is exempt from paying any surcharge that would otherwise be payable by the applicant under schedule 3, part 2, item 6, 8 or 10 for the application.
- (3) Subsections (4) and (5) apply if an applicant for renewal of registration of an eligible vehicle complies with section 99(3) for the vehicle during the eligibility period for the vehicle.
- (4) The applicant is exempt for the period mentioned in subsection (5)—
 - (a) from paying any surcharge that would otherwise be payable by the applicant under schedule 3, part 2, item 7 or 9 for the application; and

[s 97]

- (b) from paying any administrative fee for late payment that would otherwise be payable by the applicant for the application.
- (5) For subsection (4), the period is 1 year from and including—
 - (a) if the compliance is in relation to registration of the vehicle—the day of registration; or
 - (b) if the compliance is in relation to renewal of registration of the vehicle—the day of the renewal.

97 Seasonal registration—deferral of registration

- (1) This section applies to a prescribed vehicle—
 - (a) owned by a primary producer; and
 - (b) used only in the registered operator’s business as a primary producer; and
 - (c) that is—
 - (i) an eligible vehicle (disaster); or
 - (ii) a vehicle that has its garage address in a drought-declared area or at a drought-declared property; or
 - (iii) a vehicle that has its garage address in an area or at a property that has stopped being a drought-declared area or drought-declared property and for which this section was relied on while the area or property was a drought-declared area or drought-declared property; and
 - (d) for which section 99(5) is complied with during the period mentioned in subsection (5).
- (2) This section also applies to a prescribed vehicle—
 - (a) used only seasonally, and only to transport primary produce from a farm or fishing waters to where the primary produce is—
 - (i) loaded onto a train, vessel or another vehicle; or

- (ii) stored before being processed; or
 - (iii) the subject of the first processing step applied to it; or
 - (iv) processed; and
 - (b) that is a vehicle mentioned in subsection (1)(c); and
 - (c) for which section 99(5) is complied with for the vehicle during the period mentioned in subsection (5).
- (3) This section applies despite section 23(3).
- (4) The registration of a prescribed vehicle to which this section applies may be—
- (a) deferred at the end of the registration term for a period of not more than 2 years; and
 - (b) renewed during, or at the end of, the deferral period.
- (5) For subsections (1)(d) and (2)(c), the period is—
- (a) for an eligible vehicle (disaster)—1 year from and including the day a person is granted disaster relief financial assistance in relation to the same address as the vehicle’s garage address; or
 - (b) if the vehicle’s garage address is in a drought-declared area or at a drought-declared property—while the area is a drought-declared area or the property is a drought-declared property; or
 - (c) if section 99(5)(b) was complied with for the vehicle while the area or property that the vehicle has its garage address in or at was a drought-declared area or drought-declared property—1 year after the area or property stopped being a drought-declared area or drought-declared property.

[s 98]

98 Section 95, 96 or 97 may be relied on only once in relation to the 1 disaster

To remove any doubt, it is declared that section 95, 96 or 97 may be relied on for an eligible vehicle (disaster) only once in relation to the 1 disaster.

99 Notice or written evidence to be given

- (1) Subsections (2) to (4) apply in addition to sections 13(1) and 43(1).
- (2) Subsections (3) and (4) apply to an application for registration, or renewal of registration, of an eligible vehicle in reliance on section 95 or 96.
- (3) Subject to subsection (4)—
 - (a) for an eligible vehicle (disaster)—the application must be accompanied by written evidence that disaster relief financial assistance has been granted in relation to the same address as the garage address of the vehicle within 1 year before the day of the application; or
 - (b) for an eligible vehicle (drought), if the application is made while the area or property that the garage address for the vehicle is in or at is a drought-declared area or drought-declared property—the application must be accompanied by written evidence that the garage address for the vehicle is in a drought-declared area or at a drought-declared property; or
 - (c) for an eligible vehicle (drought), if the application is made after the area or property that the garage address for the vehicle is in or at stops being a drought-declared area or drought-declared property, the applicant must notify the chief executive that—
 - (i) the applicant has complied with paragraph (b) for the vehicle; and
 - (ii) the vehicle’s garage address has stopped being in the drought-declared area or at the drought-declared property.

-
- (4) Subsection (3) does not apply if the applicant has previously complied with the subsection for the vehicle for the period of 1 year from and including—
- (a) if the previous compliance was in relation to an application for registration made in reliance on section 95 or 96—the day of registration of the vehicle; or
 - (b) if the previous compliance was in relation to an application for renewal of registration made in reliance on section 95 or 96—the day of renewal of registration of the vehicle.
- (5) A person who wants to rely on section 97 to defer registration of a vehicle for longer than 1 year but not longer than 2 years, and then renew the registration, must—
- (a) for an eligible vehicle (disaster)—give the chief executive written evidence that disaster relief financial assistance has been granted in relation to the same address as the vehicle’s garage address within 1 year before the day the deferral commences; or
 - (b) for a vehicle that has its garage address in a drought-declared area or at a drought-declared property—give the chief executive written evidence that the garage address for the vehicle is in a drought-declared area or at a drought-declared property; or
 - (c) for a vehicle that has its garage address in an area or at a property that has stopped being a drought-declared area or drought-declared property, notify the chief executive that—
 - (i) the person has complied with paragraph (b) for the vehicle; and
 - (ii) the garage address for the vehicle has stopped being in the drought-declared area or at the drought-declared property.

[s 100]

100 Transport of fodder by primary producer for another primary producer

- (1) A primary producer who is granted concessional registration for a primary production vehicle may use the vehicle, or permit the vehicle to be used, to transport fodder—
 - (a) for another primary producer who has been granted disaster relief financial assistance in relation to an address—if the fodder is transported within 1 year after the day the primary producer for whom the fodder is transported is granted the disaster relief financial assistance in relation to the address; or
 - (b) for another primary producer—
 - (i) who is the registered operator of a vehicle that has its garage address in a drought-declared area or at a drought-declared property; or
 - (ii) who is the registered operator of a vehicle that had its garage address in a drought-declared area or at a drought-declared property—if the fodder is transported within 1 year after the area stopped being a drought-declared area or the property stopped being a drought-declared property.
- (2) Subsection (1) applies only if the transport of the fodder is not done for reward or under a commercial arrangement.
- (3) In this section—

reward does not include an expense incurred in transporting fodder.

Part 10 **Miscellaneous**

Division 1 **Other provisions about number plates and other items**

101 **Replacement registration items**

- (1) This section applies if a registration item for a registered vehicle has been damaged, destroyed, lost or stolen.
- (2) The registered operator of the vehicle must apply to the chief executive in writing for a replacement of the item within 14 days after discovering the item has been damaged, destroyed, lost or stolen.

Maximum penalty—6 penalty units.

- (3) An application for a replacement number plate must be accompanied by—
 - (a) the relevant plate fee; and
 - (b) either—
 - (i) for the replacement of a damaged number plate—the damaged number plate; or
 - (ii) for the replacement of a destroyed, lost or stolen number plate—a written statement giving details of the destruction, loss or theft.
- (4) On receipt of the application, the chief executive may—
 - (a) record in the register—
 - (i) the day the application was received; and
 - (ii) the damage, destruction, loss or theft of the item; and
 - (b) issue a replacement registration item.
- (5) Also, if the registration item is a number plate and is replaced by a number plate with a new number, the chief executive may

[s 102]

issue an updated registration label and registration certificate that contain the new number.

- (6) If the application is for the replacement of a number plate, until the replacement number plate is issued, the registered operator must attach any remaining plate to the rear of the vehicle.

Maximum penalty—12 penalty units.

- (7) The registration item being replaced stops being effective on the issue of the replacement registration item, and the replacement registration item becomes the current registration label or number plate for the vehicle.
- (8) The person must immediately return to the chief executive an item that was a lost or stolen registration item if the person recovers the item after the chief executive has issued a replacement item for it.

Maximum penalty—20 penalty units.

- (9) In this section—

registration item means—

- (a) a current registration label; or
- (b) a number plate.

102 Chief executive may require exchange of number plates

- (1) This section applies if the chief executive—
 - (a) considers the number displayed on a number plate for a vehicle is obscene or indecent; or
 - (b) changes the specifications to which a number plate for a vehicle is manufactured.
- (2) The chief executive may, by written notice given to the registered operator of the vehicle, require the registered operator to return the number plate to the chief executive within the time stated in the notice to be exchanged for another number plate.

-
- (3) The notice must state the chief executive's reason for requiring the return of the original plate.
 - (4) The registered operator must not contravene the requirement unless the person has given the chief executive written notice the original plate has been lost, stolen or destroyed.

Maximum penalty—20 penalty units.

- (5) The chief executive must record the exchange of the plate in the register.
- (6) On the exchange—
 - (a) the number plate being replaced stops being effective; and
 - (b) the replacement number plate becomes the current number plate for the vehicle.

103 Chief executive may require return of number plates

- (1) This section applies if the chief executive reasonably believes—
 - (a) a number plate is being used, or has been used, in contravention of this regulation; or
 - (b) a number plate was issued as the number plate for a limousine or taxi and the limousine or taxi is no longer operating under the licence issued under the *Transport Operations (Passenger Transport) Act 1994*.
- (2) The chief executive may, by written notice, require the person to whom the number plate was issued to return the plate to the chief executive within 14 days of the date of the notice (the *return period*).
- (3) The person must return the number plate to the chief executive within the return period.

Maximum penalty—20 penalty units.

- (4) However, if the number plate has been lost, stolen or destroyed, the person does not contravene subsection (3) if the

[s 104]

person, within the return period, notifies the chief executive in writing of the details of the loss, theft or destruction.

- (5) The chief executive must record the return of the number plate in the register.
- (6) If this section applies because of subsection (1)(b)—
 - (a) the chief executive may, in the written notice given to a person under subsection (2), also require that the number plate, when returned, be exchanged for a new number plate that is not issued as the number plate for a limousine or taxi; and
 - (b) if the number plate is not returned within the return period, the chief executive may issue a replacement number plate for the vehicle that is not issued as the number plate for a limousine or taxi.
- (7) On the exchange, or the issue of the number plate for the vehicle under subsection (6)(b)—
 - (a) the number plate being replaced stops being effective; and
 - (b) the replacement number plate becomes the current number plate for the vehicle.

104 Property in number plates

- (1) A number plate issued by the chief executive remains the property of the State.
- (2) Subsection (1) applies even if, under section 33(3), the right to use the number on the number plate is the property of the person to whom the plate was issued.

Division 2 Vehicles temporarily in Queensland

105 Vehicles temporarily in Queensland

- (1) This section applies to a vehicle if the vehicle—

-
- (a) does not have a garage address in Queensland or has had a garage address in Queensland for not more than 14 days; and
 - (b) is to be used on a road; and
 - (c) either—
 - (i) the vehicle is registered in—
 - (A) another State under a corresponding law to this regulation; or
 - (B) a foreign country under a law of the country about the registration of vehicles used on roads; or
 - (ii) the vehicle is not registered in a way mentioned in subparagraph (i), but may be used on a road under an authority or permit in force under a law of another State relating to the use of unregistered vehicles, including a law relating to dealer plates.
- (2) The vehicle may be used on a road if—
- (a) the vehicle carries and displays all number plates and registration labels it is required to carry and display in the way required by the law—
 - (i) for a vehicle mentioned in subsection (1)(c)(i)—of the other State or foreign country; or
 - (ii) for a vehicle mentioned in subsection (1)(c)(ii)—of the other State; and
 - (b) for a vehicle mentioned in subsection (1)(c)(ii)—the vehicle is used under the relevant authority or permit, so far as it is capable of being applied to the use of the vehicle outside the other State; and
 - (c) the vehicle is insured—
 - (i) for a vehicle registered in a foreign country—under the *Motor Accident Insurance Act 1994*; or

[s 105]

- (ii) for a vehicle registered in, or used under an approval issued by, another State—under a contract of insurance made under a law of the other State similar to the *Motor Accident Insurance Act 1994*.
- (3) The owner or person in charge of the vehicle must ensure that when the vehicle is used on a road the owner or person is able to produce for inspection on demand by an authorised officer—
 - (a) for a vehicle registered in a foreign country—an overseas vehicle permit issued under subsection (6); or
 - (b) otherwise—the approval to use the vehicle under the law of the other State.

Maximum penalty—8 penalty units.

- (4) If the vehicle is a vehicle mentioned in subsection (1)(c)(i)(B), an owner or person in charge of the vehicle who is temporarily in Australia may apply to the chief executive for an overseas vehicle permit for the vehicle.
- (5) The application must be in the approved form and be accompanied by the relevant fee.
- (6) The chief executive may issue the permit only if the owner or person satisfies the chief executive that—
 - (a) the vehicle is—
 - (i) registered in a foreign country; and
 - (ii) temporarily in Queensland; and
 - (b) the owner or person has insured the vehicle under subsection (2)(c)(i) and will continue to comply with subsection (2)(a)(i).
- (7) A category 2 vehicle's garage address is taken to be an address in Queensland if the vehicle is used continuously in Queensland for more than 3 months.

Division 3 Other miscellaneous provisions

106 Sale of unregistered vehicles by dealers

- (1) A dealer must not deliver an unregistered vehicle to a purchaser, other than another dealer, on the sale of the vehicle unless an application to register the vehicle under this regulation has been made.

Maximum penalty—40 penalty units.

- (2) However, the dealer does not contravene subsection (1) if the dealer obtains a written statement from the purchaser that—
 - (a) the vehicle is not to be used on a road; or
 - (b) the vehicle's garage address will not be in Queensland.
- (3) The dealer must keep a statement received under subsection (2) for at least 1 year after the day of delivery of the vehicle to the purchaser.

Maximum penalty—8 penalty units.

107 Authorisation to use unregistered vehicle on roads

- (1) A person may apply in writing to the chief executive for an authorisation to use on a road an unregistered vehicle, or class of unregistered vehicle, including a vehicle or class of vehicle that does not conform with the requirements applying to the vehicle or class under a vehicle law.
- (2) The chief executive may grant the authorisation only if the chief executive is satisfied the use of the vehicle, or class of vehicle, on the road would not—
 - (a) adversely affect road safety; or
 - (b) inconvenience other road users.
- (3) Before granting the authorisation, or as a condition of it, the chief executive may require the applicant to pay the chief executive's costs or estimated costs of the following—

[s 108]

- (a) assessing the vehicle's route and preparing the relevant plans and estimates;
 - (b) preparing and strengthening road transport infrastructure on the route;
 - (c) repairing, replacing or reconstructing road transport infrastructure on the route;
 - (d) ensuring compliance with a condition or a proposed condition of the authorisation.
- (4) The authorisation must be in writing and state the following particulars—
- (a) the vehicle or class of vehicle to which it applies;
 - (b) the roads where the vehicle may be used;
 - (c) the term, not longer than 5 years, for which it is issued;
 - (d) the conditions, if any, on which it is issued.
- (5) If the authorisation is issued on a condition, it is void if the condition is contravened.

108 Permit to use intercepted unregistered vehicle on road

- (1) This section applies if an authorised officer finds on a road—
- (a) a stationary unregistered vehicle; or
 - (b) an unregistered vehicle that has been stopped under—
 - (i) section 31 or 32 of the Act; or
 - (ii) the *Police Powers and Responsibilities Act 2000*.
- (2) The authorised officer may issue a permit authorising the use of the vehicle on roads to move it to a stated place if the officer has—
- (a) issued an infringement notice under the *State Penalties Enforcement Act 1999* for a contravention of section 11; or
 - (b) completed a report for dealing with the contravention at a later time.

-
- (3) The permit must—
- (a) be in the approved form; and
 - (b) state the term, not longer than 24 hours, for which it is issued; and
 - (c) state the conditions, if any, on which it is issued; and
 - (d) state—
 - (i) if subsection (2)(a) applies—the number of the infringement notice; or
 - (ii) if subsection (2)(b) applies—that the contravention of section 11 is to be dealt with at a later time either by issuing an infringement notice under the *State Penalties Enforcement Act 1999* or by taking a proceeding by complaint and summons under the *Justices Act 1886*.
- (4) If the permit is issued on a condition, it is void if the condition is contravened.

109 Damaged or dirty number plates

- (1) This section applies if a vehicle's number plate is—
- (a) damaged and not legible; or
 - (b) dirty and not legible.
- (2) An authorised officer may, by written notice given to the registered operator of the vehicle, or to a person in charge of the vehicle, require the registered operator to—
- (a) for a damaged number plate—apply to the chief executive, within the time stated in the notice, for a replacement number plate under section 101; or
 - (b) for a dirty number plate—
 - (i) clean the number plate; and
 - (ii) bring the vehicle to the chief executive to be inspected within the time stated in the notice.

[s 110]

- (3) If the person to whom the notice is given is not the registered operator of the vehicle, the person to whom the notice is given must immediately give the notice to the registered operator of the vehicle, unless the person has a reasonable excuse.

Maximum penalty—6 penalty units.

- (4) The registered operator must not contravene a requirement under subsection (2) unless the registered operator has a reasonable excuse.

Maximum penalty—6 penalty units.

- (5) Despite anything else in this regulation, a person who uses, or permits to be used, a vehicle on a road when a number plate required under this regulation to be attached to the vehicle is not attached to the vehicle does not commit an offence if—

- (a) the number plate is damaged; and
- (b) an authorised officer, acting under subsection (2)(a), has given the registered operator of the vehicle a written notice directing the registered operator to apply to the chief executive for a replacement number plate under section 101; and
- (c) the damaged number plate and the written notice are being carried in the vehicle; and
- (d) the vehicle is being driven to a place for the purpose of applying, at the place, to the chief executive for a replacement number plate under section 101.

Division 4 Review of decisions

110 Decisions to which this division applies

This division applies to a decision of the chief executive made under this regulation if the decision is one of the following—

- (a) a decision not to register a vehicle, other than a vehicle that is a statutory write-off;

- (b) a decision not to renew the registration of a vehicle, other than a vehicle that is a statutory write-off;
- (c) a decision not to record in the register the transfer of the registration of a vehicle;
- (d) a decision not to authorise the use of a vehicle on a road under an unregistered vehicle permit;
- (e) a decision to refuse to issue an overseas vehicle permit for a vehicle under section 105;
- (f) a decision to refuse to grant an approval to a person under part 8, division 3;
- (g) a decision to impose a condition on an approval under section 83;
- (h) a decision to refuse to approve a motorbike as a learner approved motorbike;
- (i) a decision to refuse an authorisation under section 107 to use on a road a vehicle or a class of vehicle.

111 Review of decision

- (1) Sections 65 and 65A of the Act apply to a division 4 decision as if a reference to an original decision in section 65 of the Act were a reference to the division 4 decision.
- (2) In this section—

division 4 decision means a decision to which this division applies as mentioned in section 110.

Division 5 Release of information

112 Definitions for div 5

In this division—

client user, of a public access provider, means a lawyer, insurance company, insolvency entity or statutory entity—

[s 112]

- (a) who has entered into a public access agreement with a public access provider; and
- (b) who has been approved by the chief executive, before or after the commencement of this section, as a suitable entity to obtain extracts from the register of information about vehicles, using online computer access; and
- (c) whose approval as a suitable entity has not been withdrawn.

compensation order, for a victim of crime, means an order requiring the payment of compensation made under the following—

- (a) section 24 of the repealed Criminal Offence Victims Act;
- (b) section 663B of the repealed Criminal Code chapter.

Note—

See also the *Victims of Crime Assistance Act 2009*, chapter 6.

eligible person means—

- (a) an involved person; or
- (b) a statutory entity; or
- (c) the registered operator of a vehicle seeking information from the register about the vehicle; or
- (d) a safety recall agency; or
- (e) a person seeking information from the register about a vehicle with the written consent of the registered operator of the vehicle; or
- (f) an insolvency entity; or
- (g) a victim of crime seeking information from the register in relation to obtaining payment under the person's compensation order.

give, in relation to information, includes allowing a person to obtain the information.

history certificate see section 113.

insolvency entity means an entity exercising powers—

- (a) under the *Bankruptcy Act 1966* (Cwlth) in relation to bankruptcy; or
- (b) under the provisions of the Corporations Act relating to external administration.

interstate register means a register kept by another State under a corresponding law to this regulation.

involved person means a person who proposes to commence, or has commenced, litigation.

litigation means a proceeding, or a proposed proceeding, in a court for which information in the register about a particular vehicle is, or may be, of relevance, but only if—

- (a) the proceeding is about—
 - (i) an incident on a road or somewhere else involving the vehicle; or
 - (ii) the bankruptcy or possible bankruptcy of the registered operator of the vehicle, or the application, or the possible application, to the registered operator of the vehicle, of the provisions of the Corporations Act relating to external administration; or
 - (iii) fraudulent activities of the registered operator of the vehicle; or
- (b) the proceeding is before the Family Court of Australia and involves the registered operator of the vehicle; or
- (c) in the course of the proceeding, the court decides information about the registered operator of the vehicle is required, including, for example, to help to finalise the proceeding.

NEVDIS means the database known as the ‘National Exchange of Vehicle and Driver Information System’ that—

- (a) is operated under an arrangement among the State and other States; and

[s 112]

- (b) contains information about vehicles and drivers from registers kept by the States participating in the arrangement.

personal information, about a vehicle's current or previous registered operator, means—

- (a) the person's name and address; and
- (b) any information that may identify the person.

public access provider means—

- (a) the chief executive; or
- (b) a person who has entered into an agreement with the chief executive to provide online computer access to the register to entities approved by the chief executive.

repealed Criminal Code chapter means the Criminal Code, chapter 65A, as it continued to apply from time to time under section 46(2) of the repealed Criminal Offence Victims Act.

repealed Criminal Offence Victims Act means the repealed *Criminal Offence Victims Act 1995*, as in force from time to time before its repeal.

safety recall agency means a vehicle manufacturer conducting a national vehicle safety recall program who requires details from the register to identify the registered operators of particular vehicles.

status certificate see section 114.

statutory entity means—

- (a) a local government or other entity established under a statute enforcing a law about vehicles or about the parking of vehicles in an area under its control; or
- (b) an entity having lawful access, under another Act, or under administrative arrangements approved by the chief executive, to details kept by the chief executive in the register.

vehicle-related information, about a vehicle, means information about the vehicle from the register, or from an

interstate register that is available to the chief executive through NEVDIS, but does not include—

- (a) for a vehicle currently recorded in the register or interstate register as a written-off vehicle—
 - (i) personal information about a current or previous registered operator of the vehicle; or
 - (ii) information about a notifier that has given notifiable information for the vehicle; or
 - (iii) information about the location of, or the severity of, damage to the vehicle; or
- (b) for a vehicle not currently recorded in the register or interstate register as a written-off vehicle—personal information about a current or previous registered operator of the vehicle.

vehicle-related information provider see section 117(1).

victim of crime means a person in whose favour a court has made a compensation order.

113 Meaning of *history certificate*

- (1) A *history certificate* is a certificate issued by the chief executive showing information stated in subsection (2) about a vehicle if—
 - (a) the vehicle was manufactured on or after 1 January 1989; and
 - (b) the vehicle is registered in Queensland, or was registered in Queensland and is not currently registered in any State.
- (2) For subsection (1), the information is the following vehicle-related information about the vehicle to the extent the information is included in the register—
 - (a) the day the vehicle was first registered and the day of any subsequent registration of the vehicle;

[s 114]

- (b) the day of each transfer of the vehicle's registration, other than a transfer from a dealer to another dealer;
- (c) the vehicle's engine number and odometer reading at the time of each registration of the vehicle and each transfer of the vehicle's registration, other than a transfer from a dealer to another dealer;
- (d) each purpose the vehicle is or has been used for;
- (e) whether the vehicle is or was recorded as a written-off vehicle and, if so, the relevant day and whether the vehicle was a repairable write-off or statutory write-off;
- (f) the day of each cancellation of the vehicle's registration;
- (g) a postcode indicating the usual place the vehicle is or was kept or the registered operator of the vehicle lives or lived, or a postcode otherwise associated with the vehicle;
- (h) the information that would be included in a status certificate for the vehicle if the status certificate were issued at the time of issuing the history certificate;
- (i) any other vehicle-related information decided by the chief executive.

114 Meaning of *status certificate*

- (1) A *status certificate* is a certificate issued by the chief executive showing information stated in subsection (2) about a vehicle if—
 - (a) the vehicle was manufactured on or after 1 January 1989; and
 - (b) the vehicle—
 - (i) is registered in Queensland or another State; or
 - (ii) was registered in Queensland or another State and is not currently registered in any State.
- (2) For subsection (1), the information is the following vehicle-related information to the extent the information is

included in the register or an interstate register available to the chief executive through NEVDIS—

- (a) the State in which the vehicle is or was registered;
- (b) the vehicle's registration number;
- (c) the vehicle's VIN, make, model, engine number, body shape, colour, year of manufacture, seating capacity and odometer reading most recently recorded in the register or interstate register;
- (d) the purpose the vehicle is used for;
- (e) whether the vehicle is fuelled or powered by, or fuelled or powered by a combination of, diesel, electric, gas, kerosene, petrol or steam;
- (f) the number of cylinders or rotors the vehicle has;
- (g) whether the vehicle is currently recorded in the register or interstate register as stolen and, if so, each of the following—
 - (i) the day the vehicle was recorded as stolen;
 - (ii) any reference number used by the Queensland Police Service, or the police service of another State, in relation to the theft of the vehicle that is recorded in the register or interstate register;
- (h) if the vehicle is currently recorded in the register or interstate register as a written-off vehicle and is not currently recorded in the register or interstate register as having passed a written-off vehicle inspection, each of the following—
 - (i) whether the vehicle is a repairable write-off or statutory write-off;
 - (ii) the day the vehicle was recorded as a written-off vehicle;
 - (iii) the State in which the vehicle is recorded as a written-off vehicle;

[s 115]

- (iv) information recorded in the register or interstate register about the cause of damage to the vehicle;
- (i) if the vehicle is currently recorded in the register or interstate register as having passed a written-off vehicle inspection, each of the following—
 - (i) that the vehicle has passed a written-off vehicle inspection;
 - (ii) the date of the written-off vehicle inspection;
 - (iii) the State in which the vehicle is recorded as having passed the written-off vehicle inspection;
 - (iv) information recorded in the register or interstate register about the cause of damage to the vehicle;
- (j) any expiry day relevant to the vehicle's registration or, if the vehicle's registration has been cancelled, the fact the registration has been cancelled;
- (k) a postcode indicating the usual place the vehicle is kept or the registered operator of the vehicle lives, or a postcode otherwise associated with the vehicle;
- (l) any other vehicle-related information decided by the chief executive.

115 Release of information on payment of fee

- (1) The chief executive may, in the circumstances approved by the chief executive, give an extract from the register of information about a vehicle to an eligible person, or a person acting on the eligible person's behalf, if the eligible person, or the person acting on the eligible person's behalf—
 - (a) gives the chief executive a request for the information in the approved form; and
 - (b) pays the relevant fee.
- (2) The eligible person, or the person acting on the eligible person's behalf, must not use or disclose information obtained under subsection (1) other than under conditions approved by the chief executive for the use and disclosure of the

information and advised to the eligible person or the person acting on the eligible person's behalf when, or before, the information is obtained.

Maximum penalty—20 penalty units.

- (3) A public access provider may allow a client user of the provider to obtain an extract from the register of information about a vehicle, using online computer access, if the client user—
 - (a) pays the public access provider the relevant fee; and
 - (b) obtains the extract only in the circumstances approved by the chief executive for obtaining the extract.
- (4) The client user must not use or disclose information obtained under subsection (3) other than under conditions approved by the chief executive for the use and disclosure of the information and advised to the client user when, or before, the information is obtained.

Maximum penalty—20 penalty units.

- (5) The information given under subsection (1) or obtained under subsection (3) may include personal information about the vehicle's current or previous registered operator.

116 Release of information to relevant tolling entities and other persons

- (1) The chief executive may, under an arrangement in writing entered into between the chief executive and a toll road operator or local government tollway operator, give an extract from the register of information about a vehicle to—
 - (a) the operator; or
 - (b) a person acting for the operator.
- (2) Without limiting subsection (1), the chief executive may, under an arrangement in writing entered into between the chief executive and a local government, give an extract from a relevant register of information about a vehicle to—
 - (a) the local government; or

[s 116]

- (b) a person acting for the local government;
for the purpose of the local government enforcing tolling offences committed in relation to a local government tollway in the local government's area.
- (3) An arrangement under subsection (1) or (2) must—
 - (a) include conditions imposed by the chief executive about—
 - (i) the giving of the information; and
 - (ii) the use and disclosure of the information; and
 - (b) provide for payment to the chief executive of the reasonable amount decided by the chief executive for giving the information.
- (4) A relevant tolling entity given information about a vehicle under an arrangement as mentioned in subsection (1) or (2) must not use or disclose the information other than under the conditions stated in the arrangement for the use and disclosure.

Maximum penalty—20 penalty units.

- (5) If a person who is acting for a relevant tolling entity is given information about a vehicle under an arrangement as mentioned in subsection (1) or (2), the person must not use or disclose the information other than under the conditions—
 - (a) stated in the arrangement for the use and disclosure; and
 - (b) advised to the person when, or before, the information is given.

Maximum penalty—20 penalty units.

- (6) Information about a vehicle that may be released under subsection (1) or (2) includes personal information about the vehicle's current or previous registered operator.
- (7) In this section—

local government tollway see the *Transport Infrastructure Act 1994*, section 105GA(5).

local government tollway operator see the *Transport Infrastructure Act 1994*, section 105B.

relevant register means—

- (a) the register; or
- (b) an interstate register that is available to the chief executive through NEVDIS.

relevant tolling entity means any of the following—

- (a) a toll road operator;
- (b) a local government tollway operator;
- (c) a local government with which the chief executive has entered into an arrangement under subsection (2).

tolling offence means an offence against the *Transport Infrastructure Act 1994*, section 105ZH(3), 105ZJ(4) or 105ZK(3).

toll road operator see the *Transport Infrastructure Act 1994*, section 92.

117 Release of vehicle-related information

- (1) This section applies to the following (each of whom is a *vehicle-related information provider*)—
 - (a) the chief executive;
 - (b) a person who has entered into an agreement with the chief executive that provides the person will give vehicle-related information about a vehicle to other persons.
- (2) A vehicle-related information provider may give a person vehicle-related information about a vehicle, including giving the person information by issuing a history certificate or status certificate and giving it to the person, if—
 - (a) the person pays the vehicle-related information provider the fee or amount provided for under section 118; and

[s 118]

- (b) the information is given to the person only in the circumstances approved by the chief executive in relation to the giving of the information.
- (3) However, subsection (2)(a) does not apply to the chief executive in giving information to a person under section 116.

Note—

See section 116(3)(b) about payment to the chief executive for giving information to the person under that section.

- (4) A person given information under subsection (2) must not use or disclose the information other than under any conditions approved by the chief executive for the use or disclosure of the information and advised to the person when, or before, the information is given.

Maximum penalty for subsection (4)—20 penalty units.

118 Fee or amount payable to vehicle-related information provider

- (1) This section provides for the fee or amount to be paid to a vehicle-related information provider as stated in section 117(2)(a).
- (2) The fee or amount is—
 - (a) if the vehicle-related information provider is the chief executive and a fee for giving the information to the person is stated in schedule 3, part 2—that fee; or
 - (b) if the vehicle-related information provider is the chief executive and paragraph (a) does not apply—a reasonable amount decided by the chief executive; or
 - (c) if the vehicle-related information provider is not the chief executive—a reasonable amount decided by the vehicle-related information provider.

Division 6 Use of information from register for particular purpose

119 Use of information for contacting registered operator about moving or removing vehicle

- (1) The chief executive may contact the registered operator of a vehicle before, during or after moving or removing the vehicle under section 51G of the Act for the purpose of advising the registered operator of—
- (a) the movement or intended movement of the vehicle; or
 - (b) the removal or intended removal of the vehicle.

Note—

See section 5 (Meaning of *registered operator* in this regulation).

- (2) The chief executive may use prescribed information about the vehicle from the register for the purpose of contacting the registered operator under subsection (1).

Note—

See section 143 (Confidentiality) of the Act.

- (3) In this section—

contact includes contact by phone, in person or in another way.

prescribed information, about a vehicle, means the name and address of the registered operator of the vehicle.

registered operator, of a vehicle that is not, but has been, registered, includes the previous registered operator of the vehicle.

[s 120]

Part 11 Fees

Division 1 General

120 Fees

- (1) The registration fees payable for a category 1 vehicle are stated in schedule 1.
- (2) The registration fees payable for a category 2 vehicle are stated in schedule 2.
- (3) Other fees payable under this regulation are stated in schedule 3.
- (4) The fees payable under schedules 1 to 3 for vehicle registration for a term less than 1 year are to be adjusted in proportion to the number of days in the term.
- (5) To remove any doubt, it is declared that subsection (3) does not apply to an amount payable to the chief executive for giving information under section 116.

Note—

See section 116(3)(b) about payment to the chief executive for giving information under that section.

121 Charging categories

- (1) If a category 2 vehicle falls within 2 or more categories in schedule 2, the registration fee for the vehicle is the higher or highest of the fees that could apply to the vehicle.
- (2) To decide the number of trailers a prime mover or truck may tow—
 - (a) a dolly and a semitrailer, when used together, are taken to be 1 trailer; and
 - (b) a low loader and low loader dolly, when used together, are taken to be 1 trailer.

- (3) If a category 2 vehicle is registered according to a particular type in schedule 2, a person must not use the vehicle, or, whether or not the person is the vehicle's registered operator, permit another person to use the vehicle, as a vehicle of another type to which a higher registration fee applies.

Maximum penalty—80 penalty units.

Example—

If a vehicle is not registered to tow a trailer, the vehicle can not be used to tow a trailer unless its registration is changed and the relevant registration fee is paid.

- (4) For applying schedule 2, other than schedule 2, part 1, item 2—
- (a) 2 axles with less than 1m between them are taken to be 1 axle; and
 - (b) 3 axles with not more than 2m between the first and third axles are taken to be 2 axles; and
 - (c) 4 axles with not more than 3.2m between the first and fourth axles are taken to be 3 axles.
- (5) For applying subsection (4) in relation to a vehicle, the distance between axles is measured between the centres of the wheels—
- (a) mounted on the axles; and
 - (b) parallel to the length of the vehicle.

Division 2 Vehicles exempted from registration fees

122 Exemption from payment of fee

- (1) The chief executive may grant an exemption from the payment of the following fees otherwise payable under this regulation—
- (a) the registration fee payable for the registration of a vehicle or dealer plate if the registered operator is an

[s 122]

- association established solely for a charitable purpose within the meaning of the *Collections Act 1966* and the vehicle or dealer plate is used solely for that purpose;
- (b) the registration fee payable for the registration of a vehicle if the registered operator is—
- (i) a consulate; or
 - (ii) the head of a consulate; or
 - (iii) a career officer of a consulate; or
 - (iv) the head of an honorary consular mission;
- (c) the fee payable for each of the following—
- (i) the registration of a vehicle that is a motorised wheelchair used by a person with a disability affecting the person's mobility;
 - (ii) an application for transfer of registration of a vehicle that is a motorised wheelchair used by a person with a disability affecting the person's mobility;
- (d) the registration fee payable for the registration of a vehicle if the registered operator is—
- (i) a designated overseas mission; or
 - (ii) the head of a designated overseas mission; or
 - (iii) an officer of a designated overseas mission;
- (e) the traffic improvement fee for a category 1 vehicle under schedule 3 if—
- (i) the vehicle is registered in the name of a person who holds a gold card and who has been granted a concessional registration fee for the vehicle under section 123 for a vehicle mentioned in schedule 1, part 2, item 8; or
 - (ii) the chief executive may grant an exemption under paragraph (a), (b), (c)(i) or (d) for the vehicle.

-
- (2) An exemption under subsection (1)(b) or (d) may be granted only with the approval of the chief executive of the department within which the *Public Service Act 2008* is administered.
 - (3) The registered operator of a vehicle or dealer plate must apply for the exemption in the approved form.
 - (4) A person who is granted an exemption from the payment of the registration fee for a vehicle or dealer plate must notify the chief executive in writing—
 - (a) before using the vehicle or dealer plate for a purpose other than the purpose for which the exemption was granted; or
 - (b) within 14 days—
 - (i) after a material change in the circumstances under which the exemption was granted; or
 - (ii) of the sale or other transfer of the vehicle.

Maximum penalty—20 penalty units.

- (5) On receipt of the notice, the chief executive may reassess the registration fee payable for the registration of the vehicle, without the exemption, for the term (the *unexpired term*) from when the registered operator or vehicle stopped being eligible for the exemption to the end of the current registration term of the vehicle.
- (6) The chief executive may, by written notice, require the amount of the reassessed fee for the unexpired term to be paid by—
 - (a) if the notice mentioned in subsection (5) is given under subsection (4)(a) or (b)(i)—the person to whom the exemption was granted; or
 - (b) if the notice mentioned in subsection (5) is given under subsection (4)(b)(ii)—the person to whom the vehicle is sold or otherwise transferred.

[s 123]

- (7) The person to whom a notice given under subsection (6) is directed must, within 28 days after the chief executive gives the notice, pay the amount assessed.

Maximum penalty—60 penalty units.

- (8) In this section—

designated overseas mission means a designated overseas mission under the *Overseas Missions (Privileges and Immunities) Act 1995* (Cwlth).

officer, of a designated overseas mission, means a person entrusted as an officer with the exercise of the functions of the designated overseas mission, but does not include a person employed in the technical or administrative service of the designated overseas mission.

Division 3 Concessional registration fees for particular category 1 vehicles

123 Concessional registration fees—category 1 vehicles

- (1) The chief executive may grant the registered operator of a vehicle mentioned in schedule 1, part 2 a concessional registration fee for the vehicle.
- (2) However, the chief executive may not grant a concessional registration fee under subsection (1) for a vehicle mentioned in schedule 1, part 2, item 3, 6, 7 or 8 if the registered operator of the vehicle has already been granted a concessional registration fee under section 125 for another vehicle.
- (3) An application for the concession must be in the approved form.
- (4) A person who is granted concessional registration for a vehicle must not use the vehicle, or permit the vehicle to be used—
- (a) for a purpose other than the purpose for which the concession is granted; and

(b) other than under any conditions of the concessional registration.

Maximum penalty—20 penalty units.

- (5) A person who is granted concessional registration for a vehicle and who intends to use the vehicle for a purpose other than the purpose for which the concession was granted may advise the chief executive of the intention.
- (6) A person who is granted concessional registration for a vehicle must, within 14 days after a material change in the circumstances under which the concession was granted, give the chief executive written notice of the change.

Maximum penalty—20 penalty units.

- (7) A person who is granted concessional registration for a vehicle must, within 14 days after a sale or other transfer of the vehicle, give the chief executive written notice of the sale or transfer.

Maximum penalty—20 penalty units.

- (8) On receipt of advice under subsection (5), a notice under subsection (6) or (7), or prescribed concession information about the person, the chief executive may reassess the registration fee payable for the vehicle's registration, without the concession, for the term (the *unexpired term*) from when the registered operator or vehicle stopped being eligible for the concession to the end of the vehicle's current registration term.
- (9) The chief executive may, by written notice, require the amount of the reassessed fee for the unexpired term to be paid by—
- (a) if the person's advice is given under subsection (5) or the person's notice is given under subsection (6)—the person to whom the concession was granted; or
 - (b) if the chief executive's notice is given because of prescribed concession information—the person to whom the concession was granted; or

[s 124]

- (c) if the person's notice is given under subsection (7)—the person to whom the vehicle is sold or otherwise transferred.
- (10) The person to whom a notice given under subsection (9) is directed must, within 28 days after the chief executive gives the notice, pay the amount assessed.

Maximum penalty for subsection (10)—20 penalty units.

Division 4 Concessional registration fees for category 2 vehicles

124 Concessional registration fees—primary production vehicles

- (1) The chief executive may grant a primary producer the concessional registration fee under schedule 2, part 3 for the registration of a primary production vehicle.
- (2) An application for the concession must be in the approved form.
- (3) A primary producer who is granted concessional registration for a primary production vehicle must not use the vehicle, or permit the vehicle to be used, for a purpose other than—
 - (a) for carrying on the producer's business as a primary producer; or
 - (b) as permitted under section 100.

Maximum penalty—60 penalty units.

- (4) A primary producer who is granted concessional registration for a primary production vehicle must, within 14 days of a sale or other transfer of the vehicle, give the chief executive written notice of the sale or other transfer.

Maximum penalty—60 penalty units.

- (5) A primary producer who is granted concessional registration for a primary production vehicle and who intends to use the vehicle for a purpose other than for carrying on the producer's

business as a primary producer or as permitted under section 100 may advise the chief executive of the intention.

- (6) On receipt of the notice or advice, the chief executive may reassess the registration fee payable for the vehicle's registration, without the concession, for the term (the *unexpired term*) from when the primary producer stopped being eligible for the concession, or the end of the day the chief executive received the notice or advice, to the end of the vehicle's current registration term.
- (7) The chief executive may, by written notice, require any amount by which the reassessed fee is more than the fee already paid for the unexpired term to be paid by—
 - (a) the primary producer who gave the advice; or
 - (b) the person to whom the vehicle mentioned in the notice under subsection (4) is sold or otherwise transferred.
- (8) The person to whom a notice given under subsection (7) is directed must, within 28 days after the chief executive gives the notice, pay the amount assessed.

Maximum penalty for subsection (8)—60 penalty units.

125 Concessional registration fee for motorised caravan for card holders

- (1) The chief executive may grant a card holder a concessional registration fee under schedule 2, part 3, item 4, 5 or 6 for the registration of a motorised caravan registered in the name of the card holder.
- (2) However, the chief executive may not grant a concessional registration fee under subsection (1) if the registered operator of the vehicle has already been granted a concessional registration fee under section 123 for a vehicle mentioned in schedule 1, part 2, item 3, 6, 7 or 8.
- (3) An application for the concession must be in the approved form.

[s 126]

- (4) A person who is granted a concessional registration, as a card holder, for a motorised caravan must give the chief executive written notice—
- (a) of ceasing to be a card holder—within 14 days after the cessation; or
 - (b) of the sale or other transfer of the caravan—within 14 days after the sale or other transfer.

Maximum penalty—20 penalty units.

- (5) On receipt of the notice, or prescribed concession information about a person mentioned in subsection (4), the chief executive may reassess the registration fee payable for the caravan's registration, without the concession, for the term (the *unexpired term*) from when the person stopped being eligible for the concession to the end of the caravan's current registration term.
- (6) The chief executive may, by written notice, require any amount by which the reassessed fee is more than the fee already paid for the unexpired term to be paid by—
- (a) if the person's notice is given under subsection (4)(a)—that person; or
 - (b) if the person's notice is given under subsection (4)(b)—the person to whom the caravan is sold or otherwise transferred; or
 - (c) if the prescribed concession information is about a person mentioned in subsection (4)—that person.
- (7) The person to whom a notice given under subsection (6) is directed must, within 28 days after the chief executive gives the notice, pay the amount assessed.

Maximum penalty for subsection (7)—20 penalty units.

126 Concessional registration fees for other vehicles

- (1) The chief executive may grant a person a concessional registration fee under schedule 2, part 3, item 1 or 2 for the registration of a vehicle.

-
- (2) An application for the concession must be in the approved form.
 - (3) A person who is granted concessional registration for a vehicle must not use the vehicle, or permit the vehicle to be used—
 - (a) for a purpose other than the purpose for which the concession is granted; and
 - (b) other than under any conditions of the concessional registration.

Maximum penalty—60 penalty units.

- (4) A person who is granted concessional registration for a vehicle must, within 14 days of a sale or other transfer of the vehicle, give the chief executive written notice of the sale or other transfer.

Maximum penalty—60 penalty units.

- (5) A person who is granted concessional registration for a vehicle and who intends to use the vehicle for a purpose other than the purpose for which the concession was granted may advise the chief executive of the intention.
- (6) On receipt of the notice or advice, the chief executive may reassess the registration fee payable for the vehicle's registration, without the concession, for the term (the *unexpired term*) from when the person stopped being eligible for the concession, or the end of the day the chief executive received the notice or advice, to the end of the vehicle's current registration term.
- (7) The chief executive may, by written notice, require any amount by which the reassessed fee is more than the fee already paid for the unexpired term to be paid by—
 - (a) the person who gave the advice; or
 - (b) the person to whom the vehicle mentioned in the notice under subsection (4) is sold or otherwise transferred.

[s 127]

- (8) The person to whom a notice given under subsection (7) is directed must, within 28 days after the chief executive gives the notice, pay the amount assessed.

Maximum penalty for subsection (8)—60 penalty units.

Part 12 Other offence provisions

127 Offences involving registration certificates etc.

- (1) A person must not, unless the person has a reasonable excuse—
- (a) make, sell or have in the person's possession anything that purports to be, but is not, a registration certificate, registration label, number plate or permit; or
 - (b) alter or deface a registration certificate, registration label, number plate or permit.

Maximum penalty—40 penalty units.

- (2) A person must not, unless the person has a reasonable excuse, use, or permit to be used, on a road a vehicle if—
- (a) a registration certificate, registration label, number plate or permit for the vehicle has been unlawfully altered; or
 - (b) a registration certificate, registration label, number plate or permit for the vehicle has been defaced; or
 - (c) a reflectorised number plate for the vehicle has been repainted in any way, for example, to repair stone chips or other damage; or
 - (d) any writing, mark, or colour on a registration certificate, registration label, number plate or permit for the vehicle is not clearly legible; or
 - (e) a registration label, number plate or permit attached to the vehicle was issued for another vehicle; or

-
- (f) a registration label or number plate attached to the vehicle has been recorded in the register as having been cancelled, lost, stolen, destroyed or damaged; or
 - (g) a registration label, number plate or permit required under this regulation to be attached to the vehicle—
 - (i) is not attached to the vehicle; or
 - (ii) is attached to the vehicle, but not in the way required under this regulation; or
 - (h) a registration label still attached to the vehicle should have been taken off the vehicle under section 40(7); or
 - (i) a permit required under section 60(5)(a) to be carried by the driver of the vehicle is not being carried by the driver of the vehicle; or
 - (j) a permit required under section 60(5)(b) to be carried in the vehicle is not being carried in the vehicle.

Maximum penalty—16 penalty units.

- (3) In this section, a reference to a registration certificate, registration label, number plate or permit is a reference to a registration certificate, registration label, number plate or permit issued—
 - (a) by the chief executive under this regulation; or
 - (b) under a corresponding law to this regulation; or
 - (c) under a law of a foreign country about the registration of vehicles.

128 Requirement to remove unlawful registration item

- (1) An authorised officer may require a person in charge of a vehicle to take a registration item from the vehicle, and to deliver it to the authorised officer, if the authorised officer believes on reasonable grounds that—
 - (a) under this regulation, the use of the vehicle on a road is prohibited; or

[s 129]

- (b) the registration item was not lawfully issued for the vehicle; or
 - (c) the registration item is recorded in the register as having been cancelled, lost, stolen, destroyed or damaged.
- (2) The person must not contravene the requirement unless the person has a reasonable excuse.

Maximum penalty—16 penalty units.

- (3) In this section—

registration item means—

- (a) a registration certificate, registration label, number plate, permit or similar item; or
- (b) an item purporting to be an item mentioned in paragraph (a).

Part 13 Repeal and transitional provision

Division 1 Repeal

129 Repeal of regulation

The Transport Operations (Road Use Management—Vehicle Registration) Regulation 1999, SL No. 225 is repealed.

Division 2 Transitional provision

130 References to repealed regulation

In an Act or other document, a reference to the *Transport Operations (Road Use Management—Vehicle Registration)*

Regulation 1999 may, if the context permits, be taken to be a reference to this regulation.

Schedule 1 Category 1 vehicle registration fees

section 120(1)

Part 1 Category 1 vehicle registration fees for 1 year

	Fee for prescribed private use vehicles	Fee for vehicles other than prescribed private use vehicles
	\$	\$
1 Motor vehicle with a GVM not over 4t—		
(a) 1, 2 or 3 cylinders, electric or steam	220.20	223.05
(b) 4 cylinders or 2 rotors	280.05	283.70
(c) 5 or 6 cylinders or 3 rotors	443.45	449.20
(d) 7 or 8 cylinders	620.95	629.00
(e) 9 to 12 cylinders	728.25	737.70
2 Motor vehicle, other than a motorised caravan or bus, with a GVM over 4t but not over 4.5t.	696.05	705.10
3 Motorised caravan with a GVM over 4t but not over 4.5t	505.95	512.50
4 Bus with a GVM over 4t but not over 4.5t.	693.70	702.70
5 Mobile machinery—		
(a) GVM not over 1t.		159.95
(b) GVM over 1t but not over 2t		219.25

	Fee for prescribed private use vehicles	Fee for vehicles other than prescribed private use vehicles
	\$	\$
(c) GVM over 2t but not over 3t		278.60
(d) GVM over 3t but not over 4t		337.90
(e) GVM over 4t but not over 4.5t		342.65
6 Motorbike		98.70
7 Trailer—		
(a) ATM not over 1.02t.		89.40
(b) ATM over 1.02t but not over 4.5t		170.25

Note—

Under schedule 8, definition *caravan*, a caravan is a type of trailer.

	Fee for prescribed private use vehicles	Fee for vehicles other than prescribed private use vehicles
	\$	\$
3 In accordance with schedule 4, items 1, 3, 4, 6, 7 and 8, one motor vehicle (other than a conditionally registered vehicle or mobile machinery) registered in the name of the holder of a seniors card . . .	the greater of the following— (a) 50% of the part 1 fee; (b) 78.95	the greater of the following— (a) 50% of the part 1 fee; (b) 79.95
4 Motor vehicle with a GCM or GVM not over 4t mentioned in schedule 5, other than a conditionally registered vehicle. .	78.95	79.95
5 Motor vehicle with a GCM or GVM over 4t but not over 4.5t mentioned in schedule 5, other than a conditionally registered vehicle	the greater of the following— (a) 25% of the part 1 fee; (b) 78.95	the greater of the following— (a) 25% of the part 1 fee; (b) 79.95

Schedule 1

	Fee for prescribed private use vehicles	Fee for vehicles other than prescribed private use vehicles
	\$	\$
6 In accordance with schedule 4, items 2, 3, 4, 6, 7 and 8, one motor vehicle, other than a conditionally registered vehicle or mobile machinery, registered in the name of the holder of a pensioner concession card who first held a pensioner concession card before 1 July 1994 and has during the period since then held a pensioner concession card—		
(a) with a GCM or GVM not over 4t	78.95	79.95
(b) with a GVM over 4t but not over 4.5t	the greater of the following—	the greater of the following—
	(a) 25% of the part 1 fee;	(a) 25% of the part 1 fee;
	(b) 78.95	(b) 79.95

	Fee for prescribed private use vehicles	Fee for vehicles other than prescribed private use vehicles
	\$	\$
7 In accordance with schedule 4, items 2, 3, 4, 6, 7 and 8, one motor vehicle, other than a conditionally registered vehicle or mobile machinery, registered in the name of the holder of a pensioner concession card, with a GCM or GVM not over 4.5t, unless item 6 applies	the greater of the following— (a) 50% of the part 1 fee; (b) 78.95	the greater of the following— (a) 50% of the part 1 fee; (b) 79.95
8 In accordance with schedule 4, items 1, 3, 4, 6, 7 and 8, one motor vehicle, other than a conditionally registered vehicle or mobile machinery, registered in the name of a person who holds a gold card, with a GCM or GVM not over 4.5t	78.95	79.95
9 Special interest vehicle	78.95	79.95

Schedule 2 Category 2 vehicle registration fees

section 120(2)

Part 1 Category 2 vehicle registration fees for 1 year—nationally regulated fees

1 Vehicles

Vehicle type	2 axles	3 axles	4 axles	5 or more axles
Trucks—				
• Truck (type 1)	\$542	\$859	\$759	\$759
• Truck (type 2)	\$859	\$1021	\$1021	\$1021
• Short combination truck	\$859	\$1021	\$1854	\$1854
• Medium combination truck	\$6783	\$6783	\$7326	\$7326
• Long combination truck	\$9361	\$9361	\$9361	\$9361
Prime movers—				
• Short combination prime mover	\$1164	\$4744	\$5030	\$5030
• Multi-combination prime mover	\$9457	\$9457	\$10402	\$10402

2 Trailers

Trailer type	single axle or single axle group	tandem axle group	tri-axle group	quad-axle group	multi-axle group
Pig trailer	\$550	\$1100	\$1650	\$2200	\$550 x number of axles
Dog trailer	\$550	\$1100	\$1650	\$2200	\$550 x number of axles
Semitrailer	\$550	\$1100	\$1650	\$2200	\$550 x number of axles
B-double lead trailer, B-triple lead trailer or B-triple middle trailer	\$550	\$2100	\$3300	\$4400	\$1100 x number of axles
Converter dolly or low loader dolly	\$550	\$1100	\$1650	\$2200	\$550 x number of axles

3 Buses

Bus type	2 axles	3 axles	4 or more axles
Bus type 1	\$488		
Bus type 2	\$488	\$2429	\$2429
Articulated bus		\$488	\$488

4 Special purpose vehicles

Special purpose vehicle (type o)	\$365 + (\$365 x number of axles in excess of 2)
Special purpose vehicle (type p)	No fee
Special purpose vehicle (type t)	\$292

Part 2 Category 2 vehicle registration fees for 1 year—non-nationally regulated fees

Vehicle type	2 axles	3 axles	4 axles	5 or more axles
Motorised caravans	\$497.55	\$995.05	\$1492.55	\$1492.55

Part 3 Category 2 vehicle concessional registration fees for 1 year

- 1 The percentage of the registration fee payable under a concessional registration for a category 2 vehicle mentioned in schedule 5, other than a special interest vehicle, motorised caravan or a vehicle that may be conditionally registered, is as follows—
 - (a) for a truck with 2 or 3 axles—50%;
 - (b) for a truck with 4 or more axles—25%;
 - (c) for a short combination prime mover, or a short, medium or long combination truck, with 2 axles—50%;

-
- (d) for a multi-combination prime mover with 2 axles—25%;
 - (e) for a short or multi-combination prime mover, or a short, medium or long combination truck, with 3 or more axles—25%;
 - (f) for a trailer with 1 axle—50%;
 - (g) for a trailer with 2 axles—35%;
 - (h) for a trailer with 3 or more axles—30%;
 - (i) for a special purpose vehicle—25%;
 - (j) for a caravan, mobile library, mobile workshop, mobile laboratory or mobile billboard—35%;
 - (k) for a bus—50%.
- 2 The concessional registration fee for a special interest vehicle is \$79.95.
 - 3 The concessional registration fee for a vehicle, with distance and road use limits imposed by the chief executive, owned by a primary producer and used only in the owner’s business as a primary producer is—
 - (a) for a motor vehicle—\$51.75; or
 - (b) for a trailer—\$123.50.
 - 4 In accordance with schedule 4, items 1, 3, 5, 6, 9 and 10, the percentage of the registration fee payable under a concessional registration for a motorised caravan registered in the name of the holder of a seniors card is 50%.
 - 5 In accordance with schedule 4, items 2, 3, 5, 6, 9 and 10, the percentage of the registration fee payable under a concessional registration for a motorised caravan registered in the name of a card holder who holds a pensioner concession card is—
 - (a) if the card holder first held a pensioner concession card before 1 July 1994 and has during the period since then held a pensioner concession card—25%; or
 - (b) otherwise—50%.

Schedule 2

- 6 In accordance with schedule 4, items 1, 3, 5, 6, 9 and 10, the percentage of the registration fee payable under a concessional registration for a motorised caravan registered in the name of a person who holds a gold card is 25%.

Schedule 3 Other fees

section 120(3)

Part 1 Plate fees

	\$
1 Limousine number plates	37.00
2 Fire and rescue appliance number plates	41.70
3 Accessory plate	24.60
4 Another number plate	24.60
5 Replacement of any of the following, unless item 6 applies—	
(a) dealer plate	91.30
(b) limousine number plates	37.00
(c) another number plate	24.60
6 Replacement plate or pair of plates with the same number and design as the replaced plate or plates.	24.60 plus manufacturing costs

Part 2 Miscellaneous fees

	\$
1 Application for—	
(a) transfer of registration	22.80
(b) unregistered vehicle permit, for each day	27.30
2 Notifying chief executive of transfer of personalised number plate	82.80

Schedule 3

	\$
3 Extract from the register for use in a vehicles safety recall, for each vehicle, to a maximum of \$5000 for all of the extracts requested at the same time	1.50
4 Extract from the register through a public access provider—	
(a) for each vehicle, if the vehicle’s registration number is supplied	14.60
(b) if the name and address of the person in whose name a vehicle is registered are provided, but not the vehicle’s registration number, for each list of vehicle registration numbers supplied	8.75
(c) for each vehicle, if information about the vehicle is supplied by electronic or disk file	8.75
(d) for each vehicle, for each extract certified by the chief executive	23.35
5 Extract from the register other than under item 3 or 4—	
(a) for each vehicle, if the vehicle’s registration number, VIN, chassis number or engine number is supplied	14.60
(b) if the name and address of the person in whose name a vehicle is registered are provided, but not the vehicle’s registration number, for each list of vehicle registration numbers supplied	8.75
(c) for each vehicle, for each extract from archival records	23.35
(d) for each vehicle, for each extract certified by the chief executive	23.35
6 Surcharge for processing an application for registration, other than conditional registration, for less than 1 year—	
(a) category 1 vehicle	8.75
(b) category 2 vehicle	30.70
7 Surcharge for processing an application for renewal of registration, other than conditional registration, for less than 1 year if payable under section 44—	
(a) category 1 vehicle	8.75
(b) category 2 vehicle	30.70

	\$
8 Surcharge for processing concessional registration in relation to an application for registration for less than 1 year for a category 1 vehicle	4.30
9 Surcharge for processing concessional registration in relation to an application for renewal of registration for less than 1 year for a category 1 vehicle if payable under section 44.	4.30
10 Surcharge for processing an application for conditional registration for less than 1 year	8.75
11 Customising a number plate	41.45
12 Traffic improvement fee for a category 1 vehicle that—	
(a) is a prescribed private use vehicle	48.85
(b) is not a prescribed private use vehicle	49.50
13 Registration administration fee for a category 2 vehicle other than a trailer	59.85
14 Administration fee for making a refund under section 56.	14.90
15 Registration fee for dealer plate.	477.80
16 Administration fee payable to the chief executive by an entity contracted by the chief executive to operate a written-off vehicle inspection site, for each written-off vehicle inspection	60.00
17 Fee payable to the chief executive in relation to a history certificate—	
(a) if the chief executive provides information for the certificate to another vehicle-related information provider	15.70
(b) if the chief executive provides the certificate to a person other than a vehicle-related information provider	21.90
18 Fee payable to the chief executive in relation to a status certificate—	

- a vehicle for which an exemption from the payment of the registration fee payable for the renewal has been granted under section 122(1)(a) or (b)
- drawn plant 51.95
- (b) otherwise 12.90

Schedule 4 Provisions that particular items of schedule 1, part 2 and schedule 2, part 3 are subject to

schedule 1, part 2, items 3, 6, 7 and 8 and schedule 2, part 3, items 4, 5 and 6

- 1 Schedule 1, part 2, item 3 or 8 or schedule 2, part 3, item 4 or 6 applies if—
 - (a) the vehicle mentioned in the relevant item is used mainly by the person who is granted concessional registration for the vehicle; and
 - (b) the vehicle's purpose of use is recorded as private purposes in the register.
- 2 Schedule 1, part 2, item 6 or 7 or schedule 2, part 3, item 5 applies if—
 - (a) the vehicle mentioned in the relevant item is used mainly by the person who is granted concessional registration for the vehicle; and
 - (b) the vehicle's purpose of use is recorded as private purposes in the register; and
 - (c) the pensioner concession card mentioned in schedule 1, part 2, item 6 or 7 or schedule 2, part 3, item 5 was issued in Queensland; and
 - (d) for a card holder who is receiving a parenting payment that is a pension PP (single) under the *Social Security Act 1991* (Cwlth)—the card holder is the sole registered operator of the vehicle; and
 - (e) for a card holder who is receiving an income support supplement under the *Veterans' Entitlements Act 1986* (Cwlth)—the card holder's rate of income support supplement has not been reduced by—

-
- (i) the ordinary/adjusted income test under schedule 6, part 2, module E of that Act; or
 - (ii) the assets test under schedule 6, part 2, module F of that Act.
 - 3 However, schedule 1, part 2, item 3, 6, 7 or 8 or schedule 2, part 3, item, 4, 5 or 6 does not apply if any spouse of the person in whose name the vehicle mentioned in the relevant item is registered—
 - (a) is a card holder; and
 - (b) has been granted a concessional registration fee, under section 123 for a vehicle mentioned in schedule 1, part 2, item 3, 6, 7 or 8 or under section 125, for the current registration term for the registration of another vehicle.
 - 4 Also, if there are 2 registered operators of a vehicle mentioned in schedule 1, part 2, item 3, 6, 7 or 8 (**relevant schedule 1, part 2 item**), each registered operator must be eligible for a concessional registration fee under a relevant schedule 1, part 2 item.
 - 5 Also, if there are 2 registered operators of a vehicle mentioned in schedule 2, part 3, item 4, 5 or 6 (**relevant schedule 2, part 3 item**), each registered operator must be eligible for a concessional registration fee under a relevant schedule 2, part 3 item.
 - 6 However, item 4 or 5 does not apply if the registered operators of the vehicle are spouses of each other.
 - 7 Item 8 applies if—
 - (a) there are 2 registered operators of a vehicle mentioned in a relevant schedule 1, part 2 item; and
 - (b) each of the registered operators is eligible under a relevant schedule 1, part 2 item for a concessional registration fee for the vehicle that differs from the concessional registration fee for the vehicle that the other registered operator is eligible for under another relevant schedule 1, part 2 item.
 - 8 Despite section 123(1), the concessional registration fee for the registration of the vehicle is—

Schedule 4

- (a) if each of the registered operators is the spouse of the other registered operator—the lowest of the concessional registration fees for the vehicle that the registered operators are eligible for under a relevant schedule 1, part 2 item; or
 - (b) otherwise—the highest of the concessional registration fees for the vehicle that the registered operators are eligible for under a relevant schedule 1, part 2 item.
- 9 Item 10 applies if—
 - (a) there are 2 registered operators of a vehicle mentioned in a relevant schedule 2, part 3 item; and
 - (b) each of the registered operators is eligible under a relevant schedule 2, part 3 item for a concessional registration fee for the vehicle that differs from the concessional registration fee for the vehicle that the other registered operator is eligible for under another relevant schedule 2, part 3 item.
- 10 Despite section 125(1), the concessional registration fee for the registration of the vehicle is—
 - (a) if each of the registered operators is the spouse of the other registered operator—the lowest of the concessional registration fees for the vehicle that the registered operators are eligible for under a relevant schedule 2, part 3 item; or
 - (b) otherwise—the highest of the concessional registration fees for the vehicle that the registered operators are eligible for under a relevant schedule 2, part 3 item.

Schedule 5 Vehicles for particular concessional registration fees

schedule 1, part 2, items 4 and 5 and schedule 2, part 3, item 1

1 Special interest vehicle

A special interest vehicle.

2 Local government vehicle

A vehicle whose registered operator is a local government.

3 Community service organisation vehicle

A vehicle, whose registered operator is a community service organisation, used on a road solely to give help to persons in distress.

4 Vehicle used only in particular areas

A vehicle used on a road only in 1 or more of the following areas—

- Aurukun Shire
- the community government areas of the following community governments under the *Local Government (Community Government Areas) Act 2004*—
 - Doomadgee Shire Council
 - Kowanyama Shire Council
 - Pormpuraaw Shire Council
 - Yarrabah Shire Council
- a coastal island that is not joined to the mainland by a bridge
- the area north of the Archer River from the western to the eastern end of the river

- the area north of a straight line from the eastern end of the Archer River to Friendly Point.

Editor's note—

Friendly Point is on the east coast of Queensland north of Cooktown.

5 Vehicle used solely to cross roads within an agricultural property

A vehicle—

- (a) whose registered operator, or at least 1 of whose registered operators, is the sole or joint operator of an agricultural property; and
- (b) used on a road solely to cross roads within the property that need to be crossed by the vehicle to operate the property.

6 Vehicle used solely to travel between 2 agricultural properties, or 2 mining properties, directly across the road from each other

A vehicle if—

- (a) its registered operator, or at least 1 of its registered operators, is the sole or joint operator of—
 - (i) an agricultural property, or a property solely or partly used for mining, with a frontage (the *first frontage*) to a side of a road; and
 - (ii) a separate agricultural property, or property solely or partly used for mining, with a frontage (the *second frontage*) to the opposite side of the road; and
- (b) part or all of the first frontage is directly opposite part or all of the second frontage; and
- (c) the vehicle is used on a road solely to travel along the road for no more than 2km between the properties.

Example of the travel—

travel along the road for 2km between a gated entry and exit on one of the properties to an undeveloped entry and exit on the other property

7 Vehicle used solely for fencing of primary producer's property

A vehicle—

- (a) whose registered operator, or at least 1 of whose registered operators, is the sole or joint operator of a property used for carrying on the registered operator's business as a primary producer; and
- (b) used on a road solely to travel on roads within the property, or onto which the property has a frontage, to build, maintain or remove the property's fences.

8 Vehicle used solely as a mobile workshop for carrying on business of beekeeping

A vehicle used on a road solely as a mobile workshop for carrying on the vehicle's registered operator's business of beekeeping.

9 Vehicle used solely to cross roads within a mining property

A vehicle—

- (a) whose registered operator, or at least 1 of whose registered operators, is the sole or joint operator of a property solely or partly used for mining; and
- (b) used on a road solely to cross roads within the property that need to be crossed by the vehicle to perform the mining.

10 Vehicle used solely to carry on business of oil, mineral or water exploration

A vehicle—

Schedule 5

- (a) permanently fitted with oil, mineral or water exploration equipment; and
- (b) used on a road solely for carrying on the vehicle's registered operator's business of exploring for oil, minerals or water.

11 Vehicle used solely for carrying on business of prospecting in particular areas

A vehicle used on a road solely for carrying on the vehicle's registered operator's business of prospecting in 1 or more of the areas mentioned in schedule 6.

12 Vehicle used solely for carrying on business of well boring

A vehicle—

- (a) permanently fitted with well boring equipment; and
- (b) used on a road solely for carrying on the vehicle's registered operator's business of well boring.

Schedule 6 **Areas for schedule 5, section 11 for vehicles used solely to carry on business of prospecting**

schedule 5, section 11

Aurukun Shire

Balonne Shire

Barcaldine Shire

Barcoo Shire

Blackall Tambo region

Boulia Shire

Bulloo Shire

Burke Shire

Carpentaria Shire

Central Highlands region other than within a 20km radius of the post office at Emerald

Cloncurry Shire

Cook Shire

Croydon Shire

Diamantina Shire

Doomadgee Shire

Etheridge Shire

Flinders Shire

Hope Vale Shire

Isaac region

Lockhart River Shire

Longreach region

Schedule 6

Mapoon Shire

Maranoa region other than within a 20km radius of the post office at Roma

McKinlay Shire

Mornington Shire

Mount Isa City other than within a 20km radius of the principal post office

Murweh Shire

Napranum Shire

Northern Peninsula Area region

Paroo Shire

Quilpie Shire

Richmond Shire

Torres Shire

Winton Shire

Wujal Wujal Shire

Schedule 8 Dictionary

section 3

address means place of residence or business or, for a corporation, its registered office or place of business.

administrative fee for late payment means an administrative fee for late payment under schedule 3.

agricultural implement means a vehicle without its own automotive power, built to perform agricultural tasks.

Examples—

augers, conveyors, empty field bins, irrigating equipment and machinery fully carried on the three-point linkage of a tractor

agricultural machine means a machine with its own automotive power—

- (a) built to perform agricultural tasks; and
- (b) being used for agricultural purposes.

Examples—

tractors and harvesters being used for agricultural purposes

AIS means an AIS under the *Transport Operations (Road Use Management—Accreditation and Other Provisions) Regulation 2005*.

allowable modification, for a learner approved motorbike, means—

- (a) a modification that is—
 - (i) designed to enable a person with a physical impairment to ride the motorbike, other than a modification that increases the maximum engine power of the motorbike; and
 - (ii) approved under the Vehicle Standards and Safety Regulation; or

Example—

modification of the motorbike's foot controls to enable the driver to operate the motorbike by hand controls

- (b) a modification to the motorbike's seating capacity approved under the Vehicle Standards and Safety Regulation.

ambulance vehicle means a motor vehicle used solely for giving emergency treatment and pre-hospital patient care to, and the transport of, sick or injured persons by an ambulance service or hospital.

approval, for part 8, division 3, see section 81.

approved written-off vehicle examiner means a person approved by the chief executive to perform written-off vehicle inspections.

approved written-off vehicle nominee means a person approved by the chief executive to supervise the day-to-day running of written-off vehicle inspections for a person.

articulated bus means a bus with 2 or more rigid sections connected to one another in a way allowing—

- (a) passenger access between the sections; and
(b) rotary movement between the sections.

ATM (aggregate trailer mass), for a trailer—

- (a) means the maximum mass, specified by the manufacturer, for the loaded trailer; and
(b) includes any mass imposed on the vehicle towing the trailer when they are on a horizontal surface.

auctioneer means a person who carries on a business that includes selling or attempting to sell or offering for sale or resale notifiable vehicles, or parts of notifiable vehicles having a chassis number or VIN, by auction.

Australian Design Rule means a national standard under the *Motor Vehicle Standards Act 1989* (Cwlth), part 2.

auto parts dismantler means a person who carries on the business of—

-
- (a) demolishing or dismantling vehicles or vehicle parts or accessories; or
 - (b) buying vehicles and substantially demolished or substantially dismantled vehicles and selling substantially demolished or substantially dismantled vehicles, whether or not the person also sells vehicle parts or accessories.

axle means 1 or more shafts positioned in a line across a vehicle, on which 1 or more wheels intended to support the vehicle turn.

axle group means a single axle group, tandem axle group, twinsteer axle group, tri-axle group, quad-axle group or multi-axle group.

B-double lead trailer means a semitrailer that is nominated for use as the lead trailer in a B-double.

B-triple means a combination consisting of a prime mover towing 3 semitrailers.

B-triple lead trailer means a semitrailer that is nominated for use as the lead trailer in a B-triple.

B-triple middle trailer means a semitrailer that is nominated for use as the second trailer in a B-triple.

bus means a motor vehicle built mainly to carry 10 or more seated adults, including the driver.

bus type 1 means a rigid bus with 2 axles and an MRC of not more than 12t.

bus type 2 means a rigid bus with—

- (a) 2 axles and an MRC of more than 12t; or
- (b) 3 or more axles.

caravan means an enclosed trailer designed for people to live in.

card holder means a person who holds—

- (a) a gold card; or
- (b) a pensioner concession card; or

(c) a seniors card.

category 1 vehicle means a vehicle with a GVM, GCM or ATM of not more than 4.5t.

category 2 vehicle means a vehicle with a GVM, GCM or ATM of more than 4.5t.

chassis number, of a vehicle, means an identification number of the vehicle's chassis that is permanently marked on the chassis or another part of the vehicle, but does not include the vehicle's VIN.

client user, for part 10, division 5, see section 112.

community service organisation means an organisation established for the purpose of providing any of the following to persons in distress—

- (a) care, relief or support;
- (b) housing;
- (c) education or instruction, whether mental, physical, technical, social, spiritual or otherwise;
- (d) any other help.

concessional registration, for a vehicle, means concessional registration granted under part 11, division 3 or 4 for the registration of the vehicle.

conditionally registered means registered under section 12(2).

conditionally registered vehicle means a vehicle registered under section 12(2).

conditional registration see section 12(2).

converter dolly means a trailer with a fifth wheel coupling designed to support a semitrailer for hauling purposes.

CTP insurance premium means the insurance premium payable under the *Motor Accident Insurance Act 1994* for an insurance certificate under that Act.

customised number plate see section 36(2).

damaged includes significantly deteriorated.

dealer means—

- (a) the holder of a motor dealer’s licence under the *Property Agents and Motor Dealers Act 2000* or, other than in section 106, the holder of an equivalent licence or other authority under a corresponding law to that Act; or
- (b) a person whose business is the sale of new motor vehicles, or new or used trailers.

dealer plate means a number plate included in a series of number plates designated by the chief executive as dealer plates.

disaster relief financial assistance, for part 9, see section 94.

dog trailer means a trailer with—

- (a) 1 axle group or a single axle at the front that is connected to the towing vehicle by a drawbar; and
- (b) 1 axle group or single axle at the rear.

drawbar means a part of a trailer, other than a semitrailer, that connects the trailer body to a coupling for towing purposes.

drawn plant means a machine built on a trailer base, other than an agricultural implement.

drought declaration, for part 9, see section 94.

drought-declared area, for part 9, see section 94.

drought-declared property, for part 9, see section 94.

eligibility period, for part 9, see section 94.

eligible person, for part 10, division 5, see section 112.

eligible vehicle, for part 9, see section 94.

eligible vehicle (disaster), for part 9, see section 94.

eligible vehicle (drought), for part 9, see section 94.

engine capacity, for a motorbike, means the engine capacity—

- (a) under the manufacturer’s specifications for the motorbike; or

(b) stated in a LAM test report for the motorbike.

exempt vehicle see section 4.

fifth wheel coupling means a device, other than the upper rotating element and the kingpin (that are parts of a semitrailer), used with a prime mover, semitrailer or a converter dolly to permit quick coupling and uncoupling and to provide for articulation.

fire and rescue appliance means a vehicle—

(a) built or modified for—

(i) fighting fires; or

(ii) supporting or performing rescue operations; and

(b) operated by authorised fire officers under the *Fire and Rescue Service Act 1990*.

freestyle motocross means a competition to compare competitors' skills, or an event to demonstrate a rider's skills, in performing motorbike acrobatics on a motorbike that has been ridden off a ramp.

freestyle motocross area means an area not dedicated to public use as a road, from which other traffic is excluded while it is being used to perform the riding involved in freestyle motocross.

garage address, of a vehicle, means the principal depot or base of operations of the vehicle.

gas certificate, for a gas system in a vehicle, means—

(a) for a new vehicle—the certificate or plate for the system required under the *Petroleum and Gas (Production and Safety) Regulation 2004*, chapter 5, part 3 before the vehicle may be offered for sale; or

Editor's note—

See the *Petroleum and Gas (Production and Safety) Regulation 2004*, sections 98 and 105C.

(b) for a used vehicle—the certificate for the system required under the *Petroleum and Gas (Production and Safety) Regulation 2004*, chapter 5, part 3 to be given,

upon a sale or transfer of the vehicle, to the person to whom the vehicle is sold or transferred.

Editor's note—

See the *Petroleum and Gas (Production and Safety) Regulation 2004*, sections 99 and 105D.

gas system see the *Petroleum and Gas (Production and Safety) Act 2004*, schedule 2.

GCM (gross combination mass), of a motor vehicle, means the maximum loaded mass for the motor vehicle and any vehicles it may lawfully tow—

- (a) stated by the vehicle's manufacturer—
 - (i) on the vehicle's compliance plate; or
 - (ii) if there is no compliance plate—in another place; or
- (b) stated by the chief executive or the corresponding authority under a corresponding law to the Act, if—
 - (i) the vehicle's manufacturer has not stated the vehicle's maximum loaded mass; or
 - (ii) the manufacturer can not be identified; or
 - (iii) the vehicle has been modified and the maximum loaded mass stated by the manufacturer is no longer appropriate; or
- (c) stated in an evaluation report about the vehicle given by an accredited person.

give, in relation to information, for part 10, division 5, see section 112.

gold card means a card that—

- (a) is a gold card under the *Veterans' Entitlements Act 1986* (Cwlth), section 118P(3); and
- (b) is embossed with the letters 'TPI' in upper case; and
- (c) has a file number on it starting with the letter 'Q' in upper case.

GTMR (gross trailer mass rating), of a trailer, means the mass transmitted to the ground by the axles of the trailer when—

- (a) coupled to a towing vehicle; and
- (b) carrying its maximum load approximately uniformly distributed over the trailer's load bearing area.

historic ambulance vehicle means a vehicle that was used as an ambulance vehicle but is now used for display by an ambulance service or historical ambulance society.

historic firefighting equipment means a vehicle that was used for firefighting but is now used for display by an historical fire brigade society.

history certificate see section 113.

identifying number, of a vehicle, means—

- (a) a chassis number; or
- (b) an engine number; or
- (c) a VIN.

insolvency entity, for part 10, division 5, see section 112.

insurer means a body corporate authorised under the *Insurance Act 1973* (Cwlth) to carry on insurance business.

interstate register, for part 10, division 5, see section 112.

involved person, for part 10, division 5, see section 112.

LAM information, for part 3, division 4, see section 26.

LAM test report see section 27.

late-model vehicle means a vehicle that is not more than 15 years old, counting from its date of manufacture.

lead trailer, in a combination, means the trailer that is, or that is to be, attached to the prime mover.

learner approved motorbike means a production motorbike—

- (a) that—
 - (i) is fitted with an electric motor; or

- (ii) has an internal combustion engine with an engine capacity of not more than 660mL; and
- (b) with a power-to-weight ratio of not more than 150kW per tonne; and
- (c) that has not been modified other than for an allowable modification; and
- (d) that is stated to be a learner approved motorbike in a list kept by the chief executive and published on the department's website.

Editor's note—

At the commencement of this definition, the department's website was at <www.tmr.qld.gov.au>.

limited access registration, for a conditionally registered vehicle, means registration that results in the vehicle being subject to conditions for use, stated in the safe movement guideline, that allow the vehicle to be used only in a stated area or only for a stated purpose.

litigation, for part 10, division 5, see section 112.

load, of a vehicle, includes—

- (a) anything normally taken from the vehicle when it is not in use; and
- (b) anything that may fall from the vehicle when it is in motion.

loaded mass, of a vehicle, means the vehicle's mass together with the mass of the vehicle's load transmitted to the ground.

long combination truck means a truck nominated to tow 2 or more trailers.

loss adjuster means a person who assesses the extent of loss or damage involving a vehicle for another person.

lowest premium set by any CTP insurer means the lowest CTP insurance premium set by any licensed insurer under the *Motor Accident Insurance Act 1994*, section 13A for the class of CTP insurance that relates to the vehicle for which an application for renewal of registration has been made.

low loader means a gooseneck semitrailer with a loading deck 1m or less above the ground.

low loader dolly means a trailer that—

- (a) is of the type usually coupled between a prime mover and a low loader; and
- (b) consists of a gooseneck rigid frame; and
- (c) does not carry any load directly on itself; and
- (d) is equipped with 1 or more axles, a kingpin and a fifth wheel coupling.

low-powered motor vehicle means a motor vehicle propelled by—

- (a) a motor with a maximum power output of not more than 200 watts; or
- (b) 2 or more motors with a combined maximum power output of not more than 200 watts.

maximum engine power, for a motorbike, means the maximum engine power—

- (a) under the manufacturer's specifications for the motorbike; or
- (b) stated in a LAM test report for the motorbike.

medium combination truck means a truck, other than a short combination truck, nominated to haul 1 trailer.

minimum available registration term, for a vehicle, means—

- (a) if the vehicle is a category 2 vehicle—3 months; or
- (b) otherwise—6 months.

mobile machinery means a motor vehicle that—

- (a) is built to transport and operate machinery or equipment forming an integral part of the vehicle; and
- (b) is not—
 - (i) a truck, semitrailer or prime mover; or
 - (ii) a tow truck; or

(iii) a vehicle that may be conditionally registered.

motorised caravan means a motor vehicle designed mainly for people to live in.

motorised golf buggy means a motor vehicle that—

- (a) is designed as transport for persons playing, or persons associated with persons playing, golf; and
- (b) can not be driven faster than 10km/h.

motorised wheelchair means a motor vehicle that—

- (a) is designed and built for use by a seated person with mobility difficulties; and
- (b) is not capable of going faster than 10km/h; and
- (c) has a tare of not more than 150kg; and
- (d) is not propelled by an internal combustion engine.

motor race means a race involving motor vehicles, or a practice, or a time trial, for a race or competition involving 1 or more motor vehicles.

MRC (mass rating for charging), of a vehicle, means the maximum permissible mass of the vehicle and its load—

- (a) shown on the vehicle's compliance plate as the GVM, GTMR or ATM of the vehicle; or
- (b) for a vehicle without a compliance plate—decided by the chief executive or the corresponding authority under a corresponding law to the Act, having regard to the design and construction of—
 - (i) the vehicle; or
 - (ii) any of its components.

multi-axle group means—

- (a) for a dog trailer—5 or more axles at the front or at the rear, or 5 or more axles at the front and 5 or more axles at the rear; or
- (b) for a pig trailer—5 or more axles near the middle of the load carrying surface of the trailer; or

Schedule 8

- (c) for a semitrailer—5 or more axles towards the rear of the trailer; or
- (d) for a B-double lead trailer or B-triple lead trailer or B-triple middle trailer—5 or more axles towards the rear of the trailer; or
- (e) for a converter dolly or low loader dolly—5 or more axles located under the fifth wheel coupling.

multi-combination prime mover means a prime mover nominated to haul 2 or more trailers.

NEVDIS, for part 10, division 5, see section 112.

nominated, in relation to a vehicle, means nominated in an application for registration of the vehicle.

nominated configuration, for a category 2 vehicle, means the configuration in which the vehicle is nominated to operate for the term of its registration.

notifiable information, for a written-off vehicle, means—

- (a) the vehicle's chassis number or VIN; and
- (b) the vehicle's engine number, if available; and
- (c) if the vehicle has been assessed as a total loss—when the vehicle was assessed to be a total loss; and
- (d) whether the vehicle is a repairable write-off or a statutory write-off; and
- (e) the type, location and severity of the damage to the vehicle; and
- (f) details of the person providing the information mentioned in paragraphs (a) to (e).

notifiable vehicle means—

- (a) a vehicle that—
 - (i) is a late-model vehicle of 1 of the following types—
 - (A) a motor vehicle with a GVM not over 4.5t;
 - (B) a motorbike;

- (C) a caravan;
- (D) a trailer with an ATM over 4.5t; and
- (ii) complies with the requirements of all Australian Design Rules applying to it; or
- (b) any other vehicle of a type notified by the chief executive by gazette notice.

notifier means any of the following—

- (a) an insurer;
- (b) a self-insurer;
- (c) a loss adjuster;
- (d) a dealer;
- (e) an auctioneer;
- (f) an auto parts dismantler.

observed trial means a competition to compare competitors' skills, or an event to demonstrate a rider's skills, in riding a motorbike around a marked course, 1 at a time.

observed trial area means an area not dedicated to public use as a road, from which other traffic is excluded while it is being used as a course for an observed trial.

passengers, of a vehicle, does not include the driver or a trainee driver of the vehicle or a person in the vehicle who is necessary for the normal operation of the vehicle.

pensioner concession card means a card known as a pensioner concession card issued under a Commonwealth law.

personal information, for part 10, division 5, see section 112.

personalised number plate means a number plate issued under section 33 as a personalised number plate.

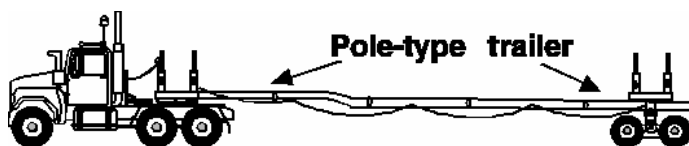
pig trailer means a trailer—

- (a) with 1 axle group or a single axle near the middle of its load carrying surface; and
- (b) that is connected to the towing vehicle by a drawbar.

plant means a machine with its own automotive power.

pole-type trailer means a trailer that—

- (a) is attached to a towing vehicle by a pole, or an attachment fitted to the pole; and
- (b) is ordinarily used for transporting loads, such as logs, pipes, structural members, or other long objects, that are generally capable of supporting themselves like beams between supports.



power-to-weight ratio, for a learner approved motorbike, is a ratio—

- (a) expressed in kilowatts per tonne; and
- (b) calculated by—
 - (i) dividing the maximum engine power by the sum of the tare mass and 90kg; and
 - (ii) multiplying the product of the division by 1000.

Example—

The power-to-weight ratio of a motorbike that has a maximum engine power of 54kW and a tare mass of 360kg is calculated by dividing 54kW by the sum of 360kg and 90kg (that is, 450kg) and multiplying the product of the division by 1000. In this example, the power-to-weight ratio is 120kW/t.

prescribed concession information, about a person, means information from a State or Commonwealth government agency that shows a change in the person's status as a card holder.

prescribed private use vehicle, for schedule 1 and schedule 3, part 2, means a category 1 vehicle mentioned in schedule 1, part 1, items 1 to 4, if the vehicle's purpose of use is recorded as private purposes in the register.

prescribed vehicle means—

- (a) a prime mover or truck with a GVM of at least 6t; or
- (b) a trailer with an MRC over 4.5t.

primary produce means raw material for clothing or food derived from—

- (a) agriculture; or
- (b) dairying; or
- (c) fishing; or
- (d) the raising of livestock; or
- (e) viticulture.

primary producer means a person engaged mainly in the production of primary produce.

primary production vehicle means a vehicle that is—

- (a) owned by a person who is a primary producer; and
- (b) used only for carrying on the person's business as a primary producer; and
- (c) either of the following—
 - (i) a prime mover or truck with a GVM of at least 6t;
 - (ii) a trailer with an MRC of over 4.5t.

production motorbike means a motorbike that—

- (a) is manufactured and marketed in volume for normal road use; and
- (b) conforms with the requirements applying to the motorbike under each vehicle law.

public access provider, for part 10, division 5, see section 112.

quad-axle group means a group of 4 axles, in which the horizontal distance between the centre-lines of the outermost axles is more than 3.2m but not more than 4.9m.

quad bike means a 4-wheeled motor vehicle that is ridden in the same way as a 2-wheeled motor vehicle.

racing track means a circuit or track, not dedicated to public use as a road, being used as a course for a motor race or motor race driver training, if other traffic is excluded from the circuit or track during its use for the race or training.

racing vehicle means a vehicle that is used in a motor race or for motor race driver training.

recklessly includes with gross negligence.

register, as a noun, see section 18.

registered operator, of a vehicle or dealer plate, see section 5.

registration certificate, for a vehicle, means a certificate issued by the chief executive and including the matters about the vehicle listed in section 19(2).

registration label, for a vehicle, means a label issued by the chief executive and including the matters about the vehicle listed in section 39(2).

registration number means a distinguishing number—

- (a) assigned by the chief executive to identify a vehicle that is, or has been, registered; and
- (b) displayed, or intended for display, on a number plate.

registration-related amount, for a renewal of registration, means the total of the following fees payable under section 43(1)—

- (a) any vehicle registration fee under schedule 1 or 2 for the vehicle;
- (b) any registration administration fee for a conditionally registered vehicle under schedule 3 for the vehicle;
- (c) if the vehicle is a category 1 vehicle—the traffic improvement fee under schedule 3 for the vehicle;
- (d) if the vehicle is a category 2 vehicle, other than a trailer—the registration administration fee under schedule 3 for the vehicle;
- (e) any CTP insurance premium.

related area, for a racing track, means an area—

- (a) adjacent to the racing track where a racing vehicle is parked or driven for a purpose associated with a motor race or motor race driver training; and
- (b) not dedicated to public use as a road.

renewal notice see section 42.

repairable write-off—

- (a) means a notifiable vehicle that is a total loss but is not a statutory write-off; and
- (b) in the context of a written-off vehicle inspection and a written-off vehicle inspection report, includes a vehicle with a chassis number or VIN that is the same as the chassis number or VIN of a vehicle recorded in the register, or in a register kept under a corresponding law to this regulation, as a repairable write-off.

repealed regulation means the repealed *Transport Operations (Road Use Management—Vehicle Registration) Regulation 1999*.

road-related area means an area that is part of a road and—

- (a) divides a part of the road from another part of the road and is formed by lines marked on the road or is constructed on the road; or

Example—

a traffic island

- (b) is a footpath or nature strip; or
- (c) is open to the public and is designed for use by cyclists or animals.

Road Use Management Regulation means the *Transport Operations (Road Use Management—Mass, Dimensions and Loading) Regulation 2005*.

safe movement guideline see section 12(1)(a).

safety recall agency, for part 10, division 5, see section 112.

sale, of a vehicle, includes—

Schedule 8

- (a) the hiring of the vehicle on hire-purchase; and
- (b) the leasing of the vehicle.

self-insurer means an entity that owns 5 or more notifiable vehicles for which there is no insurance policy with an insurer covering loss or damage.

semitrailer means a trailer (including a pole-type trailer) that has—

- (a) 1 axle group or a single axle towards the rear; and
- (b) a means of attachment to a prime mover or a converter dolly that results in some of the load being imposed on the prime mover or converter dolly.

seniors card means a Queensland Government seniors card.

short combination prime mover means a prime mover nominated to tow 1 semitrailer.

short combination truck means a truck nominated to haul 1 trailer, if the combination has—

- (a) 6 or less axles; and
- (b) a total mass of not more than 42.5t.

single axle means an axle not forming part of an axle group.

single axle group means a group of 2 or more axles, in which the horizontal distance between the centre-lines of the outermost axles is less than 1m.

special interest vehicle means—

- (a) a vehicle that is at least 30 years old; or
- (b) an historic ambulance vehicle or historic firefighting equipment; or
- (c) a street rod vehicle.

special plate means—

- (a) a customised number plate; or
- (b) a personalised number plate.

special purpose vehicle means—

- (a) a forklift, straddle carrier, mobile cherry picker or mobile crane, other than a vehicle that may be conditionally registered; or
- (b) a vehicle, other than a vehicle mentioned in paragraph (a) or a caravan, motorised caravan, mobile library, mobile workshop, mobile laboratory or mobile billboard, that has been built, or permanently modified, for a purpose other than for carrying goods or passengers.

special purpose vehicle (type o) means a special purpose vehicle, other than a special purpose vehicle (type p), that—

- (a) is built, or permanently modified, primarily for use on roads; and
- (b) has at least 1 axle or axle group loaded above the mass limits stated in the Road Use Management Regulation, schedule 2.

special purpose vehicle (type p) means a special purpose vehicle, other than a vehicle that may be conditionally registered, built or permanently modified for—

- (a) off-road use; or
- (b) use on a road-related area; or
- (c) use on an area of road that is under construction.

special purpose vehicle (type t) means a special purpose vehicle, other than a special purpose vehicle (type p), that—

- (a) is built, or permanently modified, primarily for use on roads; and
- (b) has no axle or axle group loaded above the mass limits stated in the Road Use Management Regulation, schedule 2.

Examples of special purpose vehicle (type t)—

boring plant, fire-engine, mobile crane and truck-mounted concrete pump

status certificate see section 114.

statutory entity, for part 10, division 5, see section 112.

statutory write-off means a notifiable vehicle that is a total loss and that is—

- (a) a motor vehicle or trailer, other than a motorbike, that has been immersed—
 - (i) in salt water above the doorsill level for any period; or
 - (ii) in fresh water up to the dashboard or steering wheel for more than 48 hours; or
- (b) a motorbike that has been fully immersed—
 - (i) in salt water for any period; or
 - (ii) in fresh water for more than 48 hours; or
- (c) a motor vehicle or trailer that has been burnt to the extent that it is fit only for wrecking or scrap; or
- (d) a motor vehicle or trailer that has been stripped of—
 - (i) all or most interior and exterior body parts, panels and components; or
 - (ii) a combination of components comprising interior and exterior body parts, panels and components; or

Examples of body parts, panels and components—

engine, wheels, bonnet, guards, doors, boot lid

- (e) a motor vehicle, other than a motorbike, that has been damaged to the extent of at least 3 of the following impact damage indicators—
 - (i) damage to an area of the roof equal to or exceeding 300mm by 300mm;
 - (ii) damage to an area of the cabin floor pan equal to or more than 300mm by 300mm;
 - (iii) damage to an area of the firewall equal to or more than 300mm by 300mm;
 - (iv) damage to the suspension;
 - (v) damage in the form of cracks or breaks to major mechanical components; or

Examples of major mechanical components—

engineblock, transmission casings

- (f) a motorbike that has—
- (i) impact damage, other than scratching, to the suspension; and
 - (ii) at least 2 areas of structural frame damage.

street rod vehicle means a motor vehicle modified for safe road use that—

- (a) has a body and frame built before 1949; or
- (b) is a replica of a motor vehicle the body and frame of which were built before 1949.

tandem axle group means a group of at least 2 axles, in which the horizontal distance between the centre-lines of the outermost axles is at least 1m but not more than 2m.

tare mass, for a motorbike, means the mass of the motorbike—

- (a) with all fluid reservoirs on the motorbike, other than the fuel tank, filled to a normal operating level; and
- (b) with the fuel tank empty; and
- (c) with all standard equipment and any optional items of equipment fitted; and
- (d) without the weight of a motorbike rider or a passenger.

total loss means a notifiable vehicle damaged by accident, collision, demolition, dismantling, fire, flood, trespass or other event to the extent that its fair salvage value, when added to the cost of repairing it for use on a road or road-related area, would be more than its fair market value immediately before the event that caused the damage.

tow truck means a motor vehicle that is—

- (a) equipped with a lifting or loading device capable of being used for the towing of a vehicle; and
- (b) used mainly for carrying on a business of towing abandoned, disabled or damaged vehicles.

tractor means a motor vehicle used for towing purposes, other than a motor vehicle—

- (a) designed to carry passengers or goods, other than its own fuel or water; or
- (b) that is a tow truck.

tri-axle group means a group of at least 3 axles, in which the horizontal distance between the centre-lines of the outermost axles is more than 2m but not more than 3.2m.

truck means a rigid motor vehicle built mainly as a load carrying vehicle.

truck (type 1) means a truck with—

- (a) 2 axles and an MRC of not more than 12t; or
- (b) 3 axles and an MRC of not more than 16.5t; or
- (c) 4 or more axles and an MRC of not more than 20t.

truck (type 2) means a truck with—

- (a) 2 axles and an MRC of more than 12t; or
- (b) 3 axles and an MRC of more than 16.5t; or
- (c) 4 or more axles and an MRC of more than 20t.

twinsteer axle group means a group of 2 axles—

- (a) with single tyres; and
- (b) fitted to a motor vehicle; and
- (c) connected to the same steering mechanism; and
- (d) the horizontal distance between the centre-lines of which is at least 1m but not more than 2m.

unregistered vehicle permit means a permit issued under section 60(3).

unrestricted access registration, for a conditionally registered vehicle, means registration that is not limited access registration or zone access registration.

use, of a vehicle on a road, includes standing the vehicle on the road.

vehicle law means—

- (a) the Road Use Management Regulation; or
- (b) the Vehicle Standards and Safety Regulation, to the extent the regulation requires compliance with the vehicle standards mentioned in the regulation.

vehicle-related information, for part 10, division 5, see section 112.

vehicle-related information provider, for part 10, division 5 and schedule 3, part 2, items 17 and 18, see section 117(1).

Vehicle Standards and Safety Regulation means the *Transport Operations (Road Use Management—Vehicle Standards and Safety) Regulation 2010*.

VIN, of a vehicle, means the unique vehicle identification number assigned to the vehicle.

walking speed equipment means a motor vehicle—

- (a) used for construction, maintenance or warehouse operation; and
- (b) designed mainly for use outside the road system; and
- (c) not capable of going faster than 10km/h.

written-off vehicle means a vehicle that is—

- (a) a repairable write-off; or
- (b) a statutory write-off.

written-off vehicle inspection means an inspection of a repairable write-off, under procedures approved by the chief executive, to decide on the vehicle's identity.

written-off vehicle inspection report means a report from a written-off vehicle inspection that includes a decision of an approved written-off vehicle examiner that the vehicle's identity is legitimate.

written-off vehicle inspection site means a place where written-off vehicle inspections are performed.

zone access registration, for a conditionally registered vehicle, means registration that results in the vehicle being

Schedule 8

subject to conditions for use, stated in the safe movement guideline, that limit the distance, for each stated zone, that a vehicle may travel on a single journey in the zone.

Endnotes

1 Index to endnotes

	Page
2 Date to which amendments incorporated	175
3 Key	176
4 Table of reprints	176
5 List of legislation	176
6 List of annotations	178

2 Date to which amendments incorporated

This is the reprint date mentioned in the Reprints Act 1992, section 5(c). Accordingly, this reprint includes all amendments that commenced operation on or before 1 July 2012. Future amendments of the Transport Operations (Road Use Management—Vehicle Registration) Regulation 2010 may be made in accordance with this reprint under the Reprints Act 1992, section 49.

Endnotes

3 Key

Key to abbreviations in list of legislation and annotations

Key	Explanation	Key	Explanation
AIA	= Acts Interpretation Act 1954	(prev)	= previously
amd	= amended	proc	= proclamation
amdt	= amendment	prov	= provision
ch	= chapter	pt	= part
def	= definition	pubd	= published
div	= division	R[X]	= Reprint No. [X]
exp	= expires/expired	RA	= Reprints Act 1992
gaz	= gazette	reloc	= relocated
hdg	= heading	renum	= renumbered
ins	= inserted	rep	= repealed
lap	= lapsed	(retro)	= retrospectively
notfd	= notified	rv	= revised edition
num	= numbered	s	= section
o in c	= order in council	sch	= schedule
om	= omitted	sdiv	= subdivision
orig	= original	SIA	= Statutory Instruments Act 1992
p	= page	SIR	= Statutory Instruments Regulation 2002
para	= paragraph	SL	= subordinate legislation
prec	= preceding	sub	= substituted
pres	= present	unnum	= unnumbered
prev	= previous		

4 Table of reprints

Reprints are issued for both future and past effective dates. For the most up-to-date table of reprints, see the reprint with the latest effective date.

If a reprint number includes a letter of the alphabet, the reprint was released in unauthorised, electronic form only.

Reprint No.	Amendments included	Effective	Notes
1	none	1 September 2010	
1A	2011 SL No. 64	1 July 2011	
1B	2011 SL No. 204	14 October 2011	
1C	2011 SL No. 212	28 October 2011	
1D	2011 SL No. 286	9 December 2011	
1E	2012 SL No. 55 2012 SL No. 56	1 July 2012	

5 List of legislation

Regulatory impact statements

For subordinate legislation that has a regulatory impact statement, specific reference to the statement is included in this list.

Explanatory notes

All subordinate legislation made on or after 1 January 2011 has an explanatory note. For subordinate legislation made before 1 January 2011 that has an explanatory note, specific reference to the note is included in this list.

Transport Operations (Road Use Management—Vehicle Registration) Regulation 2010 SL No. 191

made by the Governor in Council 22 July 2010

notfd gaz 23 July 2010 pp 1196–9

ss 1–2 commenced on date of notification

remaining provisions commenced 1 September 2010 (see s 2)

exp 1 September 2020 (SIA s 54)

Note—The expiry date may have changed since this reprint was published. See the latest reprint of the SIR for any change.

amending legislation—

Transport Legislation (Fees) Amendment Regulation (No. 1) 2011 SL No. 64 pts 1, 17

notfd gaz 20 May 2011 pp 142–3

ss 1–2 commenced on date of notification

remaining provisions commenced 1 July 2011 (see s 2)

Transport Legislation Amendment Regulation (No. 3) 2011 SL No. 204 pts 1–2

notfd gaz 14 October 2011 pp 318–20

commenced on date of notification

Transport Legislation Amendment Regulation (No. 4) 2011 SL No. 212 pts 1, 4

notfd gaz 28 October 2011 pp 398–9

commenced on date of notification

Transport Legislation Amendment Regulation (No. 5) 2011 SL No. 286 s 1, pt 3

notfd gaz 9 December 2011 pp 729–35

commenced on date of notification

Transport Legislation (Fees) Amendment Regulation (No. 1) 2012 SL No. 55 pts 1, 17

notfd gaz 18 May 2012 pp 74–6

ss 1–2 commenced on date of notification

remaining provisions commenced 1 July 2012 (see s 2)

Transport Operations (Road Use Management—Vehicle Registration) Amendment Regulation (No. 1) 2012 SL No. 56

notfd gaz 18 May 2012 pp 74–6

ss 1–2 commenced on date of notification

s 7 commenced 1 July 2012 immediately after the commencement of s 34 of the Transport (Fees) Amendment Regulation (No. 1) 2012 SL No. 55 (see s 2(2))

remaining provisions commenced 1 July 2012 (see s 2(1))

6 List of annotations

Vehicles used on roads must be registered

s 11 amd 2011 SL No. 286 s 9

Driving or towing unregistered vehicle to place for inspection or for testing as part of inspection

prov hdg amd 2011 SL No. 286 s 10(1)

s 15 amd 2011 SL No. 286 s 10(2)–(6)

Registered operator to notify change of particulars

s 20 amd 2012 SL No. 56 s 4

Recording change in vehicle particulars and reassessment of registration fee

s 21 amd 2012 SL No. 56 s 5

Position for attaching registration label

s 40 amd 2011 SL No. 286 s 11

Cancellation of registration of vehicle or dealer plate

s 58 amd 2011 SL No. 286 s 12

Use of dealer plates

s 64 amd 2011 SL No. 286 s 13

PART 10—MISCELLANEOUS

Definitions for div 5

s 112 def “**compensation order**” ins 2011 SL No. 204 s 3(1)

def “**eligible person**” amd 2011 SL No. 204 s 3(2)

def “**repealed Criminal Code chapter**” ins 2011 SL No. 204 s 3(1)

def “**repealed Criminal Offence Victims Act**” ins 2011 SL No. 204 s 3(1)

def “**victim of crime**” ins 2011 SL No. 204 s 3(1)

PART 14—AMENDMENT OF STATE PENALTIES ENFORCEMENT REGULATION 2000

pt 14 (ss 131–132) om R1 (see RA ss 7(1)(k) and 40)

PART 15—CONSEQUENTIAL AMENDMENTS OF OTHER REGULATIONS

pt 15 (s 133) om R1 (see RA ss 7(1)(k) and 40)

SCHEDULE 1—CATEGORY 1 VEHICLE REGISTRATION FEES

sub 2011 SL No. 64 s 38; 2012 SL No. 56 s 6

SCHEDULE 2—CATEGORY 2 VEHICLE REGISTRATION FEES

sub 2011 SL No. 64 s 38; 2012 SL No. 55 s 34

SCHEDULE 3—OTHER FEES

sub 2011 SL No. 64 s 38; 2012 SL No. 55 s 34

amd 2012 SL No. 56 s 7

SCHEDULE 7—CONSEQUENTIAL AMENDMENTS OF OTHER REGULATIONS

om R1 (see RA s 40)

SCHEDULE 8—DICTIONARY

def **“motorised wheelchair”** amd 2011 SL No. 212 s 10

def **“prescribed private use vehicle”** ins 2012 SL No. 56 s 8

© State of Queensland 2012